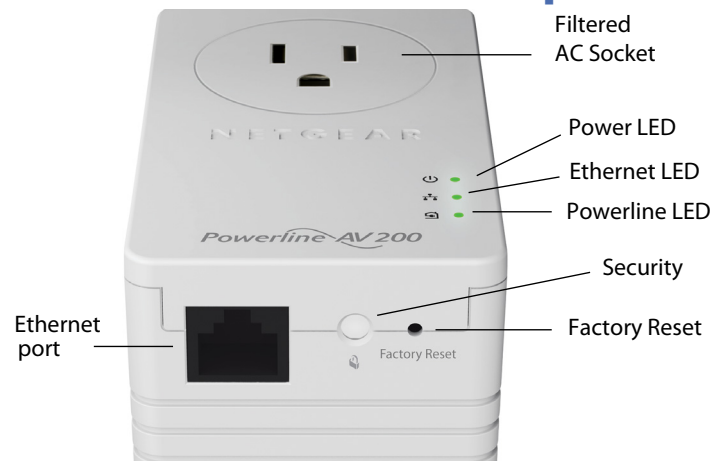





LED and Button Descriptions



Item	Description
	<ul style="list-style-type: none"> • Solid green. The electrical power is on. • Blinking green. The adapter is restarting or setting up security. • Solid Amber. The adapter is in power saving mode. • Off. There is no electrical power.
	<ul style="list-style-type: none"> • Solid. The Ethernet port is linked. • Off. There is no Ethernet connection.

Item	Description
	<ul style="list-style-type: none"> • Solid. The adapter is connected to a Powerline network. • Off. The adapter has not found any other compatible Powerline devices using the same encryption key.
Factory Reset	Press the Factory Reset button for 1 second, then release to return the Powerline adapter to its factory default settings.
Security button	After you plug in your new AV adapter, press the Security button for 2 seconds, then press the Security button on one of the other AV adapters in your existing network for 2 seconds. Both buttons must be pressed within 2 minutes. Note: The Security button does not work in power saving mode, during which the Power LED blinks once every 3 seconds.
Filtered AC Socket	The filtered AC socket can remove some electrical noise which may affect powerline performance. Plugging the power plugs of nearby devices into the filtered AC socket may improve performance.

Warning: Do not press the **Security/Power** button on the Powerline adapter until installation is complete and the adapters are communicating with each other (indicated by the blinking Powerline LED). Pressing this button too soon can temporarily disable Powerline communication. If this should occur, use the **Factory Reset** button to return the Powerline adapter to its factory default settings.

Technical Support

Thank you for selecting NETGEAR products.

After installing your device, locate the serial number on the label of your product and use it to register your product at <http://www.NETGEAR.com/register>. Registration is required before you can use our telephone support service. Registration via our website is strongly recommended.

To access the XAV1601 utility, for product updates, and for Web support, go to <http://support.netgear.com>.

GPL may be included in this product; to view the GPL license agreement, go to: <ftp://downloads.netgear.com/files/GPLnotice.pdf>.

For complete DoC, please visit the NETGEAR EU Declarations of Conformity website at: http://support.netgear.com/app/answers/detail/a_id/11621.



This symbol was placed in accordance with the European Union Directive 2002/96 on the Waste Electrical and Electronic Equipment (the WEEE Directive). If disposed of within the European Union, this product should be treated and recycled in accordance with the laws of your jurisdiction implementing the WEEE Directive.

©2011 by NETGEAR, Inc. All rights reserved. NETGEAR, the NETGEAR logo, and Connect with Innovation are trademarks and/or registered trademarks of NETGEAR, Inc. in the United States and/or other countries. Other brand and product names are trademarks or registered trademarks of their respective holders. Information is subject to change without notice.



201-13589-01



May 2011

NETGEAR®

Installation Guide

Connect with Innovation™

Powerline AV+ 200 Nano XAV1601

Package Contents

Powerline AV+ 200 Nano



Products sold in some locations include a Resource CD.

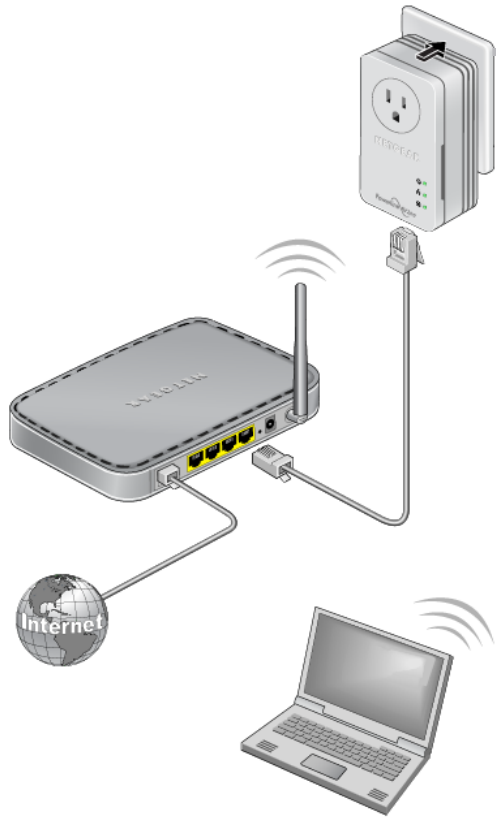


Ethernet cable

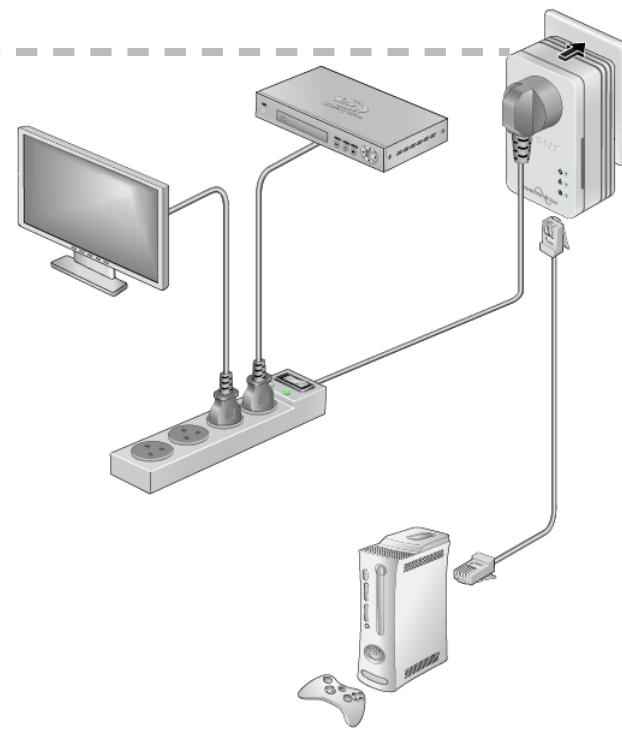
Your adapters may look like one of these:



Room 1



Room 2



Compatible Powerline and HomePlug AV certified devices include the NETGEAR XAV101, XAV1004, XAV1501, XAV2001, XAV2501, XAVN2001, XAV2101, XAV5001, XAV5501, and XAV5401. For a complete list of AV certified devices, go to http://www.homeplug.org/certified_products

Important Safety Information

- AC input: 100-125V~, 0.1A (Max;NA) and 200-250V~, 0.1A (Max;others), for product only.
- Operating temperature: 0C~40C
- The socket-outlet shall be installed near the equipment and be easily accessible.
- XAV1601 ratings (maximum load):
 - EU: 16A 250V~ - UK: 13A 250V~ - NA: 15A 125V~
- Only power cords are allowed to be inserted into the filtered AC outlet; no other equipment with a direct plug-in is allowed. Power cord needs to be a maximum of 1m long and a minimum of 0.75mm square of cross-sectional area.
- Do not plug devices into the XAV1601 filtered AC outlet that exceed the product ratings. The output voltage of the filtered AC outlet is the same as the power outlet which the XAV1601 is plugged into. To help avoid damaging your system, be sure that the attached devices are electrically rated to operate with the power available in your location.
- If the input AC voltage is less than 125Vac, the device plugged into the filtered AC socket of the XAV1601 may not perform as well as expected.
- **DO NOT PLUG MAJOR HOME APPLIANCES** into the filtered AC socket or into an attached powerstrip. The device is not intended to be used with home appliances such as air conditioners, power tools, space heaters, fans, hair dryers, ovens, or refrigerators.
- Check the electrical current for any appliance used with the device, and do not exceed home and product outlet ratings and electrical requirements.