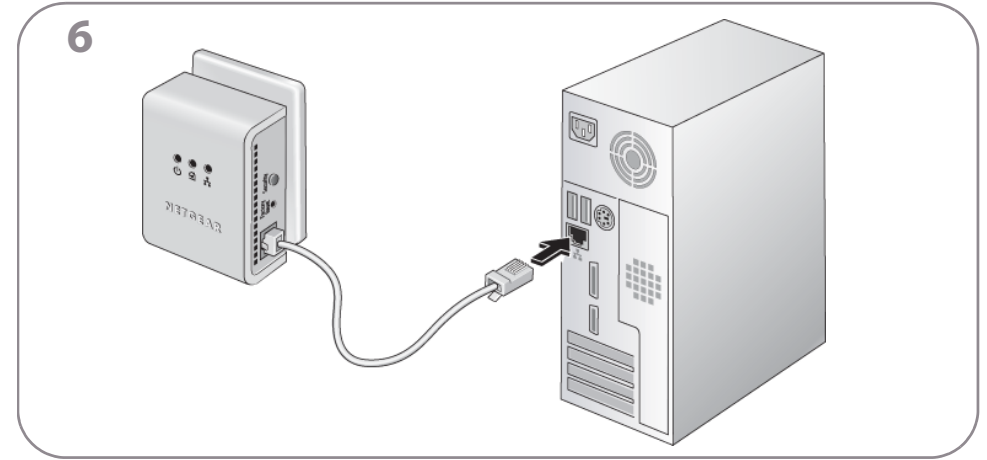
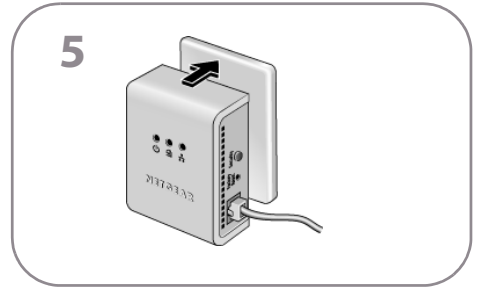
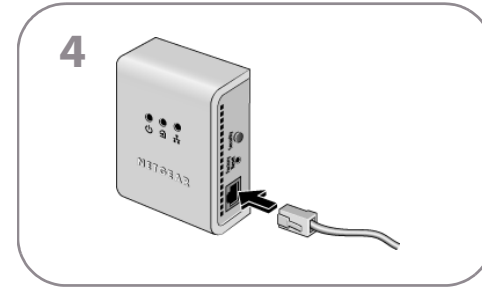
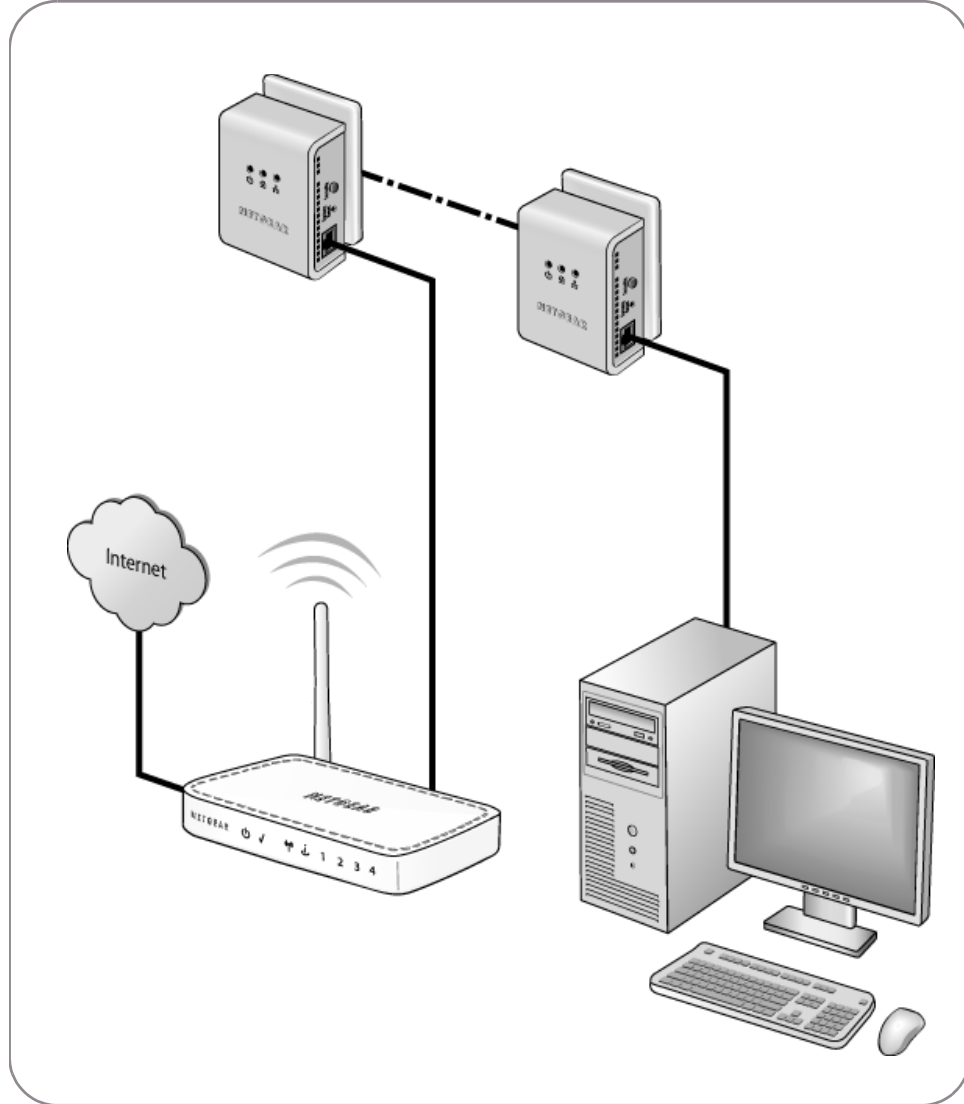
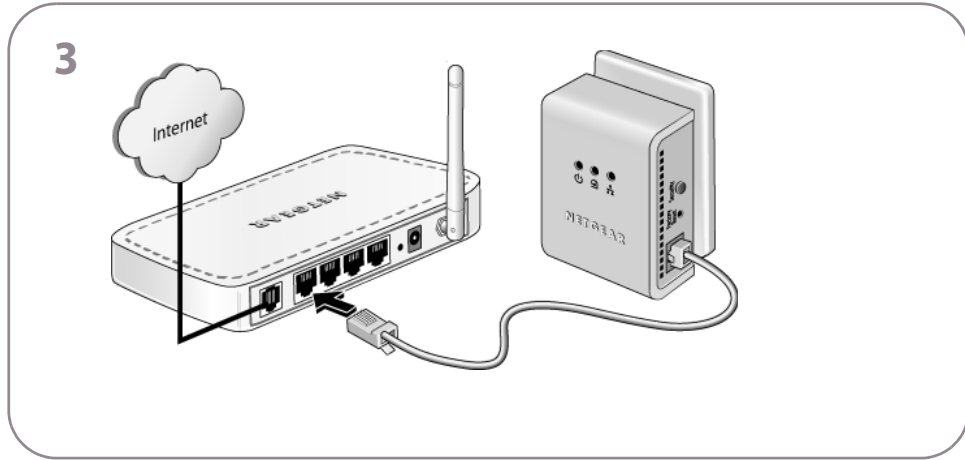
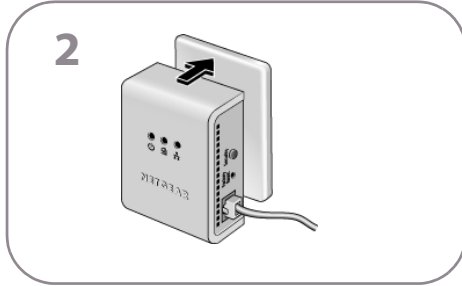
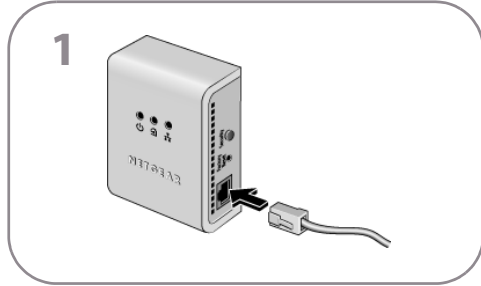
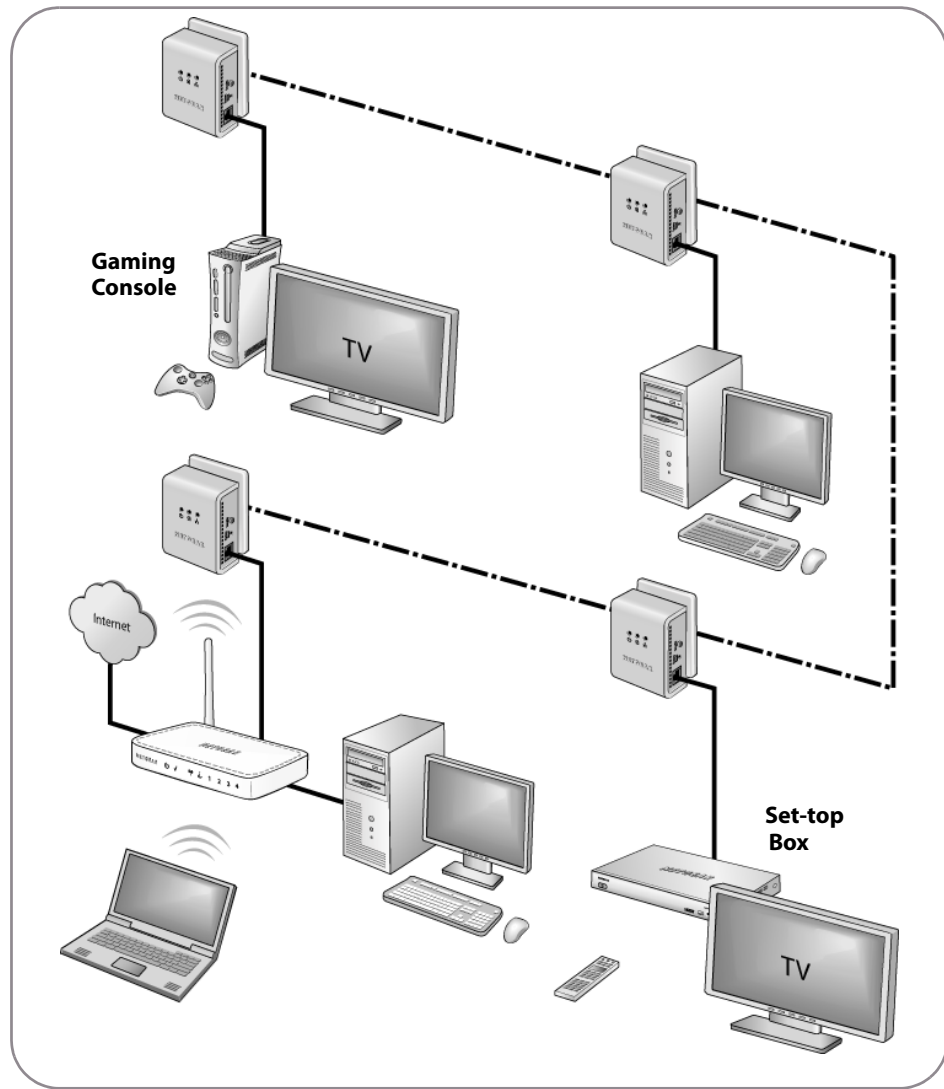
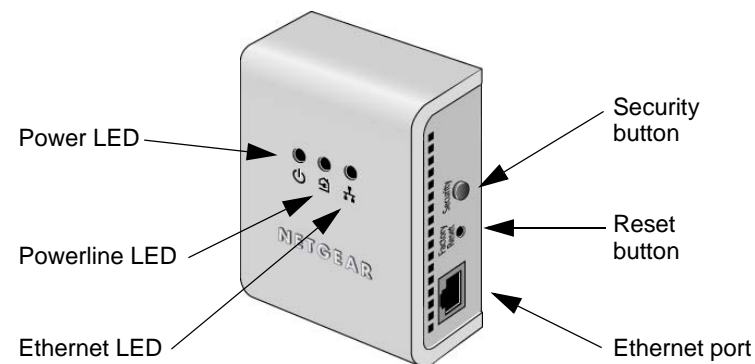





XAV101 Powerline AV Ethernet Adapter





LEDs, Security Button, and Reset Button



LED	Description			
	<ul style="list-style-type: none"> • Solid. The electrical power is on. • Blinking. The adapter is in the process of resetting or security setup. • Off. There is no electrical power. 			
	<ul style="list-style-type: none"> • Solid. The adapter is connected to a Powerline network. • Blinking. The adapter is sending or receiving data. • Off. The adapter has not found any other compatible Powerline devices using the same encryption key. <table border="1" style="width: 100%; border-collapse: collapse;"> <tr> <td style="text-align: center;">Green: Link rate > 80 Mbps</td> <td style="text-align: center;">Orange: Link rate > 50 and < 80 Mbps</td> <td style="text-align: center;">Red: Link rate < 50 Mbps</td> </tr> </table>	Green: Link rate > 80 Mbps	Orange: Link rate > 50 and < 80 Mbps	Red: Link rate < 50 Mbps
Green: Link rate > 80 Mbps	Orange: Link rate > 50 and < 80 Mbps	Red: Link rate < 50 Mbps		
	<ul style="list-style-type: none"> • Solid. The Ethernet port is linked, but there is no activity. • Blinking. There is traffic between an Ethernet port and the Powerline network. • Off. There is no Ethernet connection. 			

To set the security on your Powerline adapters, see the *XAV101 Powerline AV Ethernet Adapter User Manual*, located on your *Resource CD*, and also available at <http://www.NETGEAR.com/support>

Warning: Do not press the Security button on the Powerline AV Ethernet Adapter until installation is complete and the adapters are communicating with each other. Pressing this button too soon can temporarily disable Powerline communication. If this should occur, press the Reset button for 2 seconds to return the Powerline AV Ethernet Adapter to its factory default settings.

Troubleshooting Tips

Power LED is off.	Make sure that power is supplied to the electrical outlet, and that the Powerline devices is not plugged into an extension cord, power strip, or surge protector.
Powerline LED is off.	<ul style="list-style-type: none"> • Make sure that the Powerline devices are plugged into outlets with power. • Move the Powerline device to a closer location. • If you have set network security, make sure that all Powerline devices are using the same encryption key. • Reset the devices to factory default settings. Refer to the User Manual for instructions.
Ethernet LED is not blinking.	<ul style="list-style-type: none"> • Make sure that your router and modem are on and working correctly. • Make sure that the Ethernet cables are working and securely plugged into the devices. • Reset the devices to factory default settings. Refer to the User Manual for instructions.

Technical Support

Thank you for selecting NETGEAR products. After completing installation, register your product at <http://www.NETGEAR.com/register>.

Registration on the website or over the phone is required before you can use our telephone support service. The phone numbers for worldwide regional customer support centers are on the Warranty and Support Information card that came with your product.

Go to <http://www.NETGEAR.com/support> for product updates and Web support.

Safety Warning: The socket-outlet shall be installed near the equipment and shall be easily accessible.



This symbol was placed in accordance with the European Union Directive 2002/96 on the Waste Electrical and Electronic Equipment (the WEEE Directive). If disposed of within the European Union, this product should be treated and recycled in accordance with the laws of your jurisdiction implementing the WEEE Directive.

© 2008 by NETGEAR, Inc. All rights reserved. NETGEAR and the NETGEAR logo are registered trademarks of NETGEAR, Inc. in the United States and/or other countries. Other brand and product names are trademarks or registered trademarks of their respective holders. Information is subject to change without notice.



201-11203-02

May 2008

