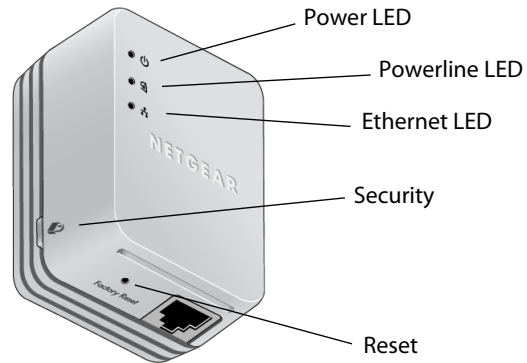





LED and Button Descriptions



Item	Description			
	<ul style="list-style-type: none"> Solid green. The electrical power is on. Solid amber. The adapter is in power saving mode. Blinking green. The adapter is in the process of setting up security. Off. There is no electrical power. 			
	<ul style="list-style-type: none"> Solid. The adapter is connected to a Powerline network. Off. The adapter has not found any other compatible Powerline devices using the same encryption key. <p>The Pick A Plug feature lets you pick the electrical outlet with the strongest link rate, indicated by the color displayed by the LED:</p> <table border="1"> <tr> <td>Green: Link rate > 80 Mbps (Best)</td> <td>Amber: Link rate > 50 and < 80 Mbps (Better)</td> <td>Red: Link rate < 50 Mbps (Good)</td> </tr> </table>	Green: Link rate > 80 Mbps (Best)	Amber: Link rate > 50 and < 80 Mbps (Better)	Red: Link rate < 50 Mbps (Good)
Green: Link rate > 80 Mbps (Best)	Amber: Link rate > 50 and < 80 Mbps (Better)	Red: Link rate < 50 Mbps (Good)		

Item	Description
	<ul style="list-style-type: none"> Solid. The Ethernet port is linked. Off. There is no Ethernet connection.
Factory Reset	Press the Reset button for 1 second, then release it to return the Powerline adapter to its factory default settings.
Security Button	After you plug in your new AV adapter, press the Security button for 2 seconds, then press the security button on one of the other AV adapters in your existing network for 2 seconds. Both buttons must be pressed within 2 minutes. Note: The Security button does not work in power saving mode (see "Power LED is amber" in the Troubleshooting Tips table).

Warning: Do not press the **Security** button on the Powerline adapter until installation is complete and the adapters are communicating with each other (indicated by the blinking Powerline LED). Pressing this button too soon can temporarily disable Powerline communication. If this should occur, use the **Factory Reset** button to return the Powerline adapter to its factory default settings.

Troubleshooting Tips

Power LED is off	Make sure that power is supplied to the electrical outlet, and that the Powerline devices are not plugged into an extension cord, power strip, or surge protector.
Power LED is amber	Power saving mode occurs when the Ethernet LED is off. This can occur when: <ul style="list-style-type: none"> The Ethernet cable is unplugged. The device connected through the Ethernet cable is turned off. The adapter is idle for 10 minutes. It returns to normal mode within 2 seconds once the Ethernet link is up.
Powerline LED is off	<ul style="list-style-type: none"> If you have set network security, make sure that all Power line devices are using the same encryption key; see the online <i>User Manual</i> for details. Press the Reset button on each device for 1 second to return the Powerline adapter to its factory default settings.
Powerline LED is amber or red	Move the Powerline device to a closer location.
Ethernet LED is off	<ul style="list-style-type: none"> Make sure that the Ethernet cables are working and securely plugged into the devices. Press the Reset button on each device for 1 second to return the Powerline adapter to its factory default settings.



This symbol was placed in accordance with the European Union Directive 2002/96 on the Waste Electrical and Electronic Equipment (the WEEE Directive). If disposed of within the European Union, this product should be treated and recycled in accordance with the laws of your jurisdiction implementing the WEEE Directive.

NETGEAR, the NETGEAR logo, and Connect with Innovation are trademarks and/or registered trademarks of NETGEAR, Inc. in the United States and/or other countries. Information is subject to change without notice. Other brand and product names are trademarks or registered trademarks of their respective holders. ©2012 by NETGEAR, Inc. All rights reserved.



201-14542-01



May 2012

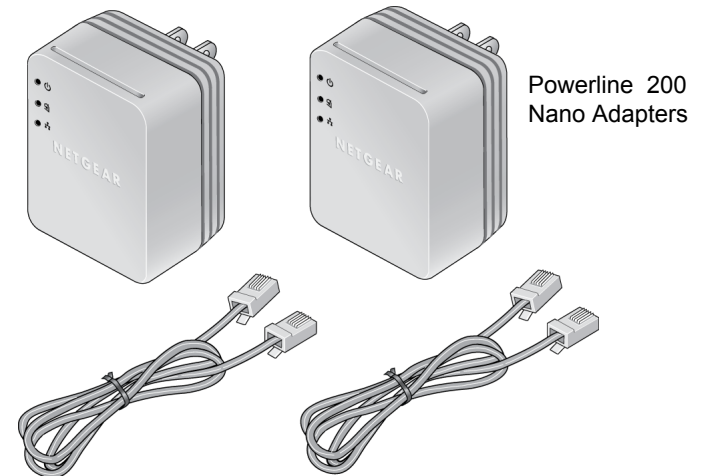
NETGEAR®

Installation Guide

Connect with Innovation™

Powerline 200 Nano XAVB2101

Package Contents

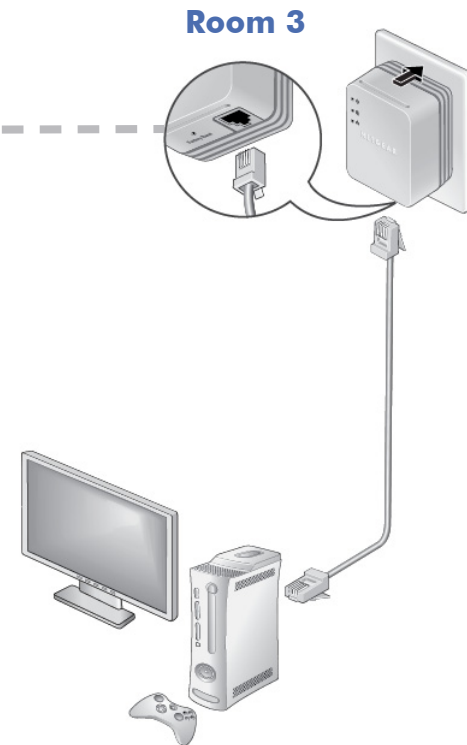
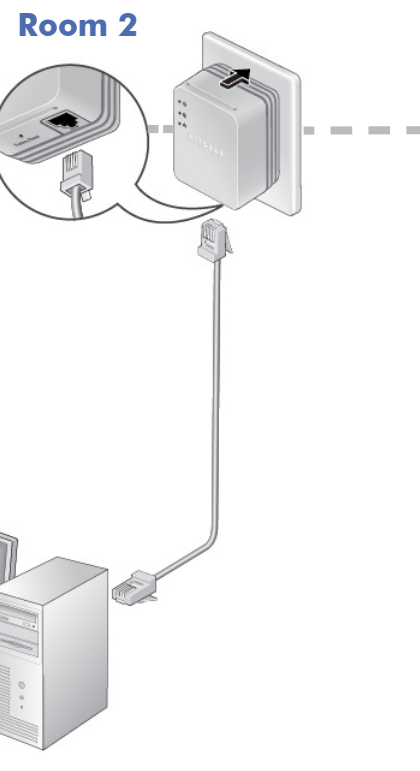
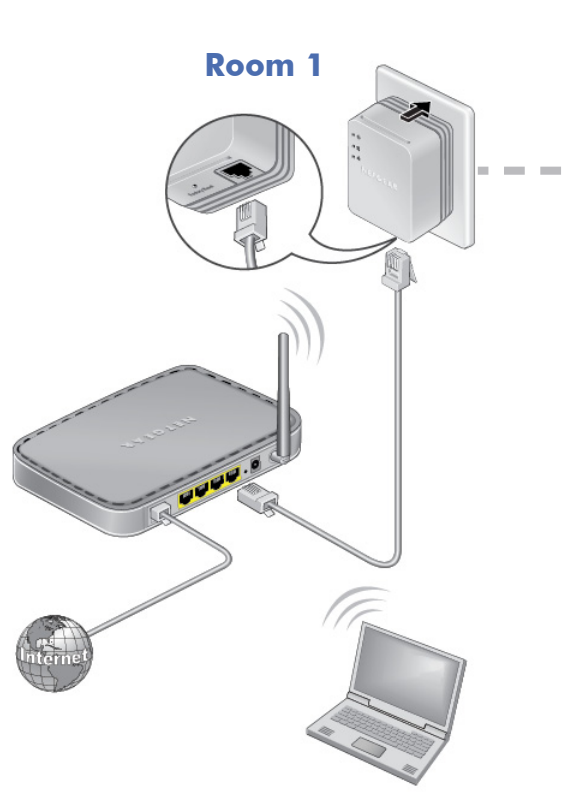


Ethernet cables

Powerline 200 Nano Adapters

In some regions, a Resource CD is included with your product.

Existing Powerline Network



Compatible Powerline and HomePlug AV certified devices include the NETGEAR XAV101, XAV1004, XAV2001, XAV2501, and XAVN2001. For a complete list of AV certified devices, go to http://www.homeplug.org/certified_products

Add a Powerline Adapter

Safety Information

- AC input: 100-240V~, 0.2A (Max).
- Operating temperature: 0C~40C.
- The socket-outlet must be installed near the equipment and must be easily accessible.
- For indoor use only in EU countries and Switzerland.

Technical Support

Thank you for selecting NETGEAR products.

After installing your device, locate the serial number on the label of your product and use it to register your product at <http://www.NETGEAR.com/register>. Registration is required before you can use our telephone support service. Registration via our website is strongly recommended.

To access the XAV2101 Powerline utility, go to <http://support.netgear.com>, enter your Powerline model number, and click the Powerline utility link.

To register your product, get the latest product updates, or get support online, visit us at <http://support.netgear.com>.

Phone (US & Canada only): 1-888-NETGEAR

Phone (Other Countries):

See http://support.netgear.com/app/answers/detail/a_id/984.

GPL may be included with this product; go to <ftp://downloads.netgear.com/files/GPLnotice.pdf> to view the GPL license agreement.

For complete DoC, visit the NETGEAR EU Declarations of Conformity website at: http://support.netgear.com/app/answers/detail/a_id/11621.