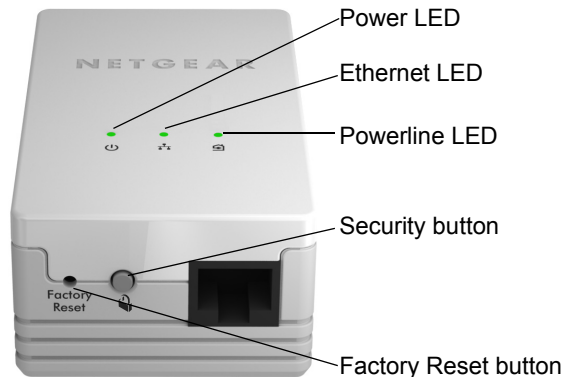





LED and Button Descriptions



Item	Description
Power LED 	<ul style="list-style-type: none"> • Solid green. The electrical power is on. • Solid amber. The adapter is in power saving mode. Power saving mode is disabled by default. • Blinking green. The adapter is in the process of setting up security. • Off. There is no electrical power.
Ethernet LED 	<ul style="list-style-type: none"> • Solid. The adapter is connected through the Ethernet port to a powered-on Ethernet device. • Off. There is no Ethernet connection.

Item	Description			
Powerline LED 	<ul style="list-style-type: none"> • Solid. The adapter is connected to a Powerline network. • Off. The adapter has not found any other compatible Powerline devices using the same encryption key. <p>The Pick A Plug feature lets you pick the electrical outlet with the fastest link rate, indicated by the color of the LED.</p> <table border="1"> <tr> <td>Green: Link rate > 80 Mbps (Fast)</td> <td>Amber: Link rate > 50 and < 80 Mbps (Medium)</td> <td>Red: Link rate < 50 Mbps (Slow)</td> </tr> </table>	Green: Link rate > 80 Mbps (Fast)	Amber: Link rate > 50 and < 80 Mbps (Medium)	Red: Link rate < 50 Mbps (Slow)
Green: Link rate > 80 Mbps (Fast)	Amber: Link rate > 50 and < 80 Mbps (Medium)	Red: Link rate < 50 Mbps (Slow)		
Factory Reset	Press the Reset button for 1 second, then release it to return the Powerline adapter to its factory default settings.			
Security Button	<p>After you plug in your new adapter, press the Security button for 2 seconds, then press the Security button on one of the other adapters in your existing network for 2 seconds. Both buttons must be pressed within 2 minutes.</p> <p>To enable power saving mode, press and hold the Security button for 10 seconds or more, then release it. Pressing the Security button again powers the adapter back on.</p>			

WARNING: Do not press the **Security** button on the Powerline adapter until installation is complete and the adapters are communicating with each other (indicated by the blinking Powerline LED). Pressing this button too soon can temporarily disable Powerline communication. If this should occur, use the **Factory Reset** button to return the Powerline adapter to its factory default settings.

Support

Thank you for selecting NETGEAR products.

After installing your device, locate the serial number on the label of your product and use it to register your product at <https://my.netgear.com>.

You must register your product before you can use NETGEAR telephone support. NETGEAR recommends registering your product through the NETGEAR website.

For product updates and web support, visit <http://support.netgear.com>.

NETGEAR recommends that you use only the official NETGEAR support resources.

You can get the user manual online at <http://downloadcenter.netgear.com> or through a link in the product's user interface.

For the current EU Declaration of Conformity, visit http://support.netgear.com/app/answers/detail/a_id/11621/.

NETGEAR, Inc.
350 East Plumeria Drive
San Jose, CA 95134 USA

March 2013



201-14841-02

NETGEAR, the NETGEAR logo, and Connect with Innovation are trademarks and/or registered trademarks of NETGEAR, Inc. and/or its subsidiaries in the United States and/or other countries. Information is subject to change without notice. © NETGEAR, Inc. All rights reserved.

For indoor use only. Valid for sale in all EU member states, EFTA states, and Switzerland.

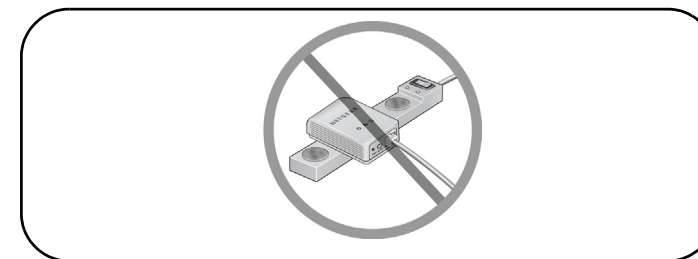
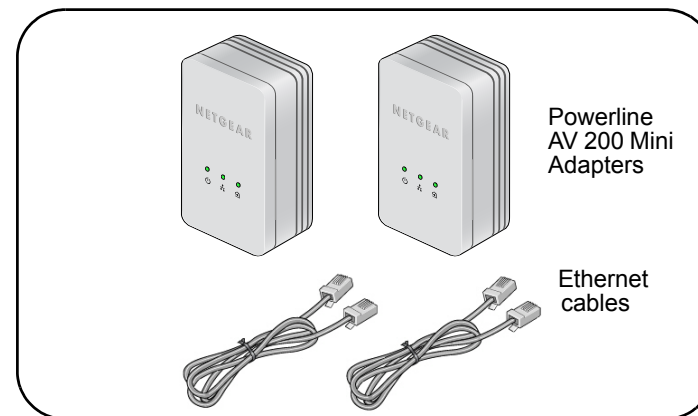
NETGEAR

Installation Guide

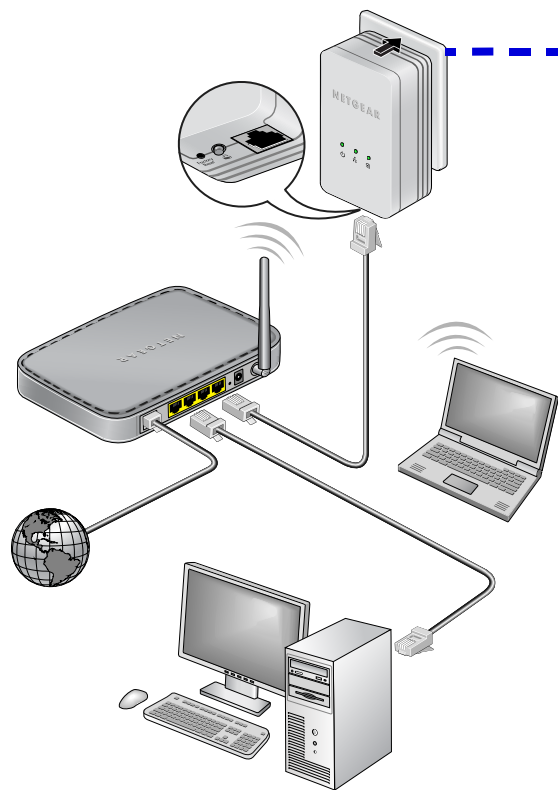
Connect with Innovation™

Powerline AV 200 Mini Set XAVB1301

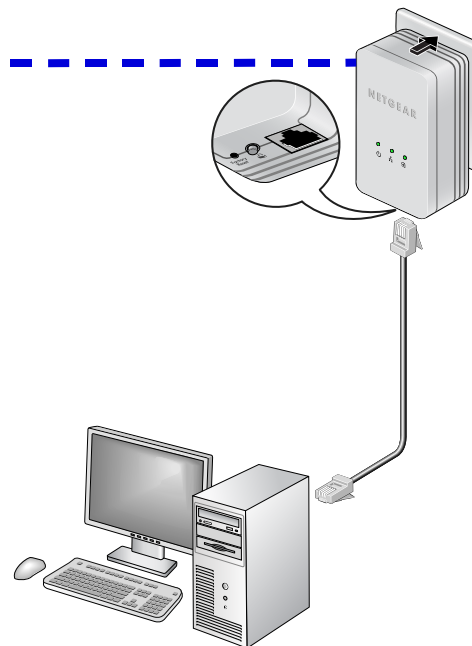
Package Contents



Room 1



Room 2



Compatible Powerline and HomePlug AV certified devices include the NETGEAR XAV101, XAV1004, XAV2001, XAV2501, XAU2511, XAV2101, XAV2602, XAV1401, XAV1601 and XAVN2001. For a complete list of AV certified devices, go to http://www.homeplug.org/certified_products.

Safety Information

- AC input: 100-240V, 60mA (Max).
- Operating temperature: 0–35°C.
- The socket-outlet shall be installed near the equipment and shall be easily accessible.

Troubleshooting Tips

Power LED is off	Make sure that power is supplied to the electrical outlet and that the Powerline devices are not plugged into an extension cord, power strip, or surge protector.
Power LED is amber	The Powerline adapter is in power saving mode. To return the adapter to normal mode, press the Security button.
Powerline LED is off	<ul style="list-style-type: none">• If you have set network security, make sure that all Power line devices are using the same encryption key. For more information, see the online User Manual.• Press the Reset button on each device for 1 second to return the Powerline adapter to its factory default settings.
Powerline LED is amber or red	Move the Powerline device to a closer location.
Ethernet LED is off	Make sure that the Ethernet cables are working and securely plugged into the devices. Press the Reset button on each device for 1 second to return the Powerline adapter to its factory default settings.