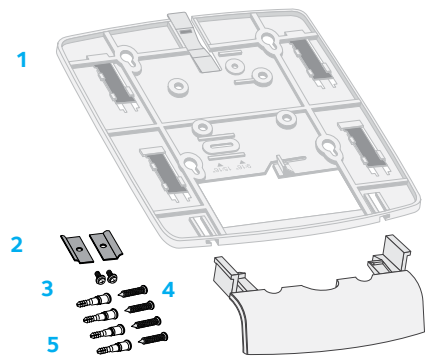


Ceiling and Wall Installation

NETGEAR Insight Managed Smart Cloud Wireless Access Point (WAC510)

Ceiling and Wall Installation Kit



Package Contents

- One access point mounting bracket and door (1)
- Two T-bar guides (2)
- Two T-bar screws for the access point mounting bracket (3)
- Four wall screws for the wall mounting bracket (4)
- Four wall anchors for the wall mounting bracket (5)

NETGEAR®

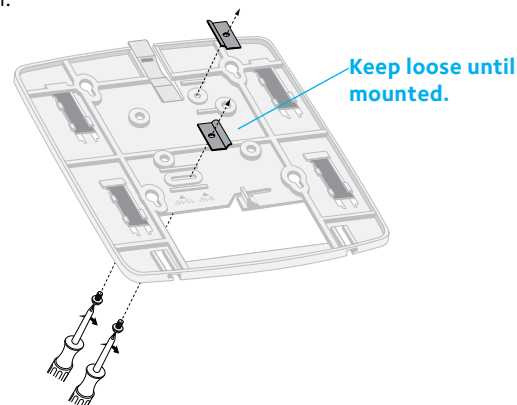
Drop Ceiling Installation

Before mounting the access point in a high location, first set up and test the access point to verify WiFi network connectivity.

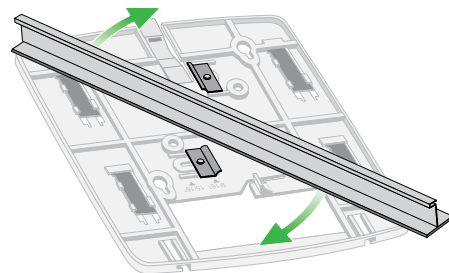
If you are mounting the access point on a hard ceiling, use the wall installation instructions.

➤ To mount your access point to a drop ceiling:

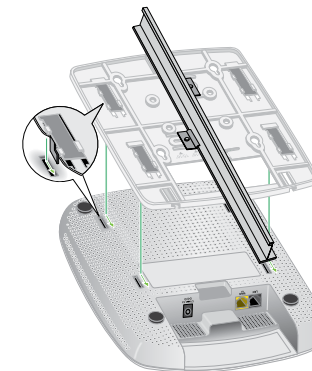
1. Attach the two T-bar guides to the access point mounting bracket using the mounting screws. Do not tighten the screw to the guide that adjusts the width.



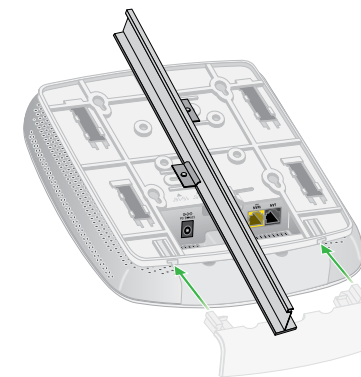
2. Attach the mounting bracket to the T-bar. Twist the mounting bracket onto the ceiling rail until you hear a click. Adjust the guides to fit the ceiling rail and tighten the screws.



3. Attach the access point to the mounting bracket.



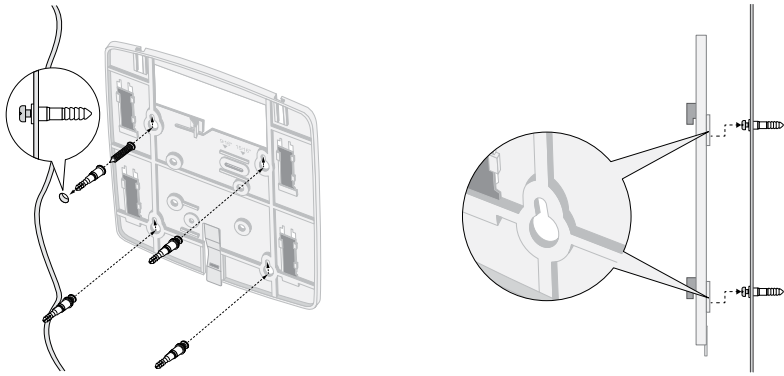
4. Attach the cover.



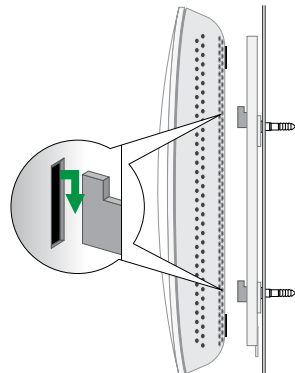
Wall Installation

➤ To mount your access point to a wall:

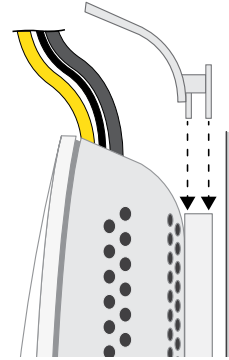
1. Place the wall mounting bracket on the wall where you want to mount the access point.
2. Mark the wall where the four mounting holes are (see the figure in Step 3).
3. Using the wall anchors and screws, attach the mounting bracket to the wall.



4. Attach the access point to the mounting bracket. The four hooks on the wall mounting bracket fit into the four holes on the access point mounting bracket.

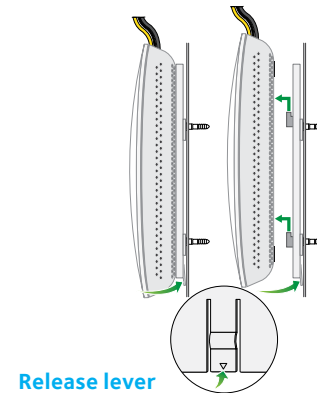


5. Connect the cables to the access point and attach the cover



➤ To release the access point from the mounting bracket:

Press the release lever towards the unit and slide the access point from the mounting bracket.



Support

Thank you for purchasing this NETGEAR product. You can visit www.netgear.com/support to register your product, get help, access the latest downloads and user manuals, and join our community. We recommend that you use only official NETGEAR support resources.

Si ce produit est vendu au Canada, vous pouvez accéder à ce document en français canadien à <http://downloadcenter.netgear.com/other/>. (If this product is sold in Canada, you can access this document in Canadian French at <http://downloadcenter.netgear.com/other/>.)

For the current EU Declaration of Conformity, visit http://support.netgear.com/app/answers/detail/a_id/11621/.

For regulatory compliance information, visit <http://www.netgear.com/about/regulatory/>.

See the regulatory compliance document before connecting the power supply.



201-22523-01



NETGEAR INTL LTD
Building 3, University Technology Centre
Curraheen Road, Cork, Ireland

NETGEAR, Inc.
350 East Plumeria Drive
San Jose, CA 95134, USA

© NETGEAR, Inc., NETGEAR and the NETGEAR Logo are trademarks of NETGEAR, Inc. Any non-NETGEAR trademarks are used for reference purposes only.

September 2017