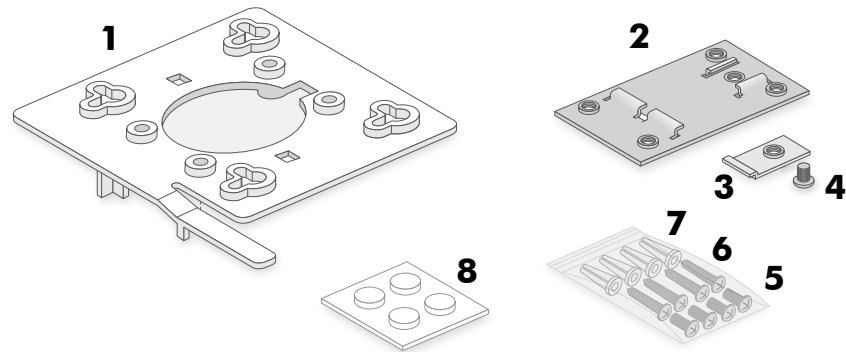


# Ceiling and Wall Installation

## NETGEAR Insight Managed

### Smart Cloud Wireless Access Point (WAC505)

802.11 Wave 2 AC1200



## Package Contents Ceiling and Wall Installation Kit

- Plastic bracket for either drop ceiling mounting or wall mounting. (1)
- Metal bracket for drop ceiling mounting. (2)
- One metal T-bar for drop ceiling mounting. (3)
- One lock screw to lock the T-bar for drop ceiling mounting. (4)
- Four short screws to attach the metal bracket for drop ceiling mounting. (5)
- Four tall screws to attach the plastic bracket for wall mounting. (6)
- Four anchors for the tall screws for wall mounting. (7)
- Four rubber feet for desk installation. (8)

**NETGEAR®**

The installation kit includes components that let you mount the access point to a drop ceiling (that is, to a ceiling bar) or to a wall and rubber feet for desk installation.

## Drop Ceiling Installation

Before mounting the access point in a high location, first set up and test the access point to verify WiFi network connectivity.

If you are mounting the access point on a hard ceiling instead of a ceiling bar that is typical for a drop ceiling, use the wall installation instructions.

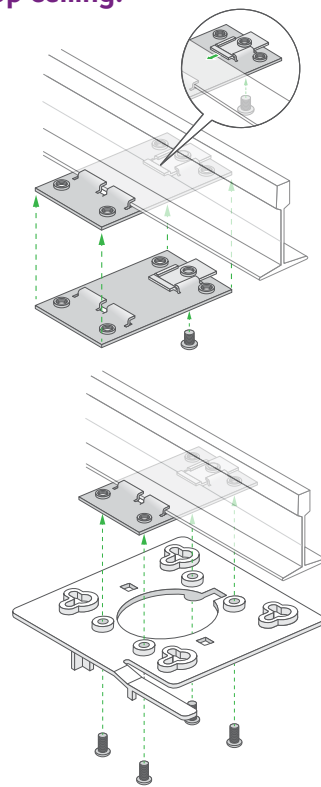
### ➤ To mount the access point to a drop ceiling:

1. Slide the T-bar partially into the metal bracket and attach the metal bracket to the ceiling bar.

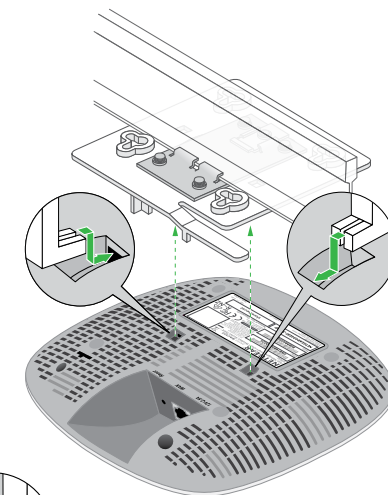
Then push the T-bar over the ceiling bar and use the lock screw to lock the metal bracket into place.

2. Making sure that the two protruding hooks on the plastic bracket are facing down, place the plastic bracket against the metal bracket and align the four inner holes of the plastic bracket with the four holes of the metal bracket.

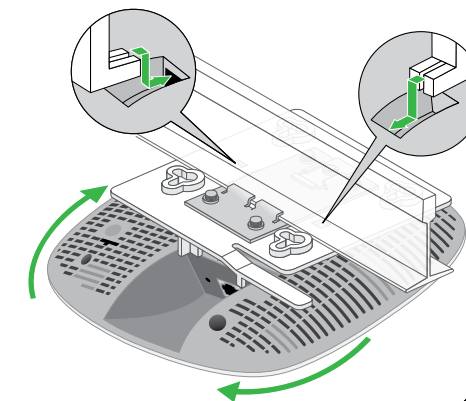
Then insert the four short screws and secure the plastic bracket onto the metal bracket.



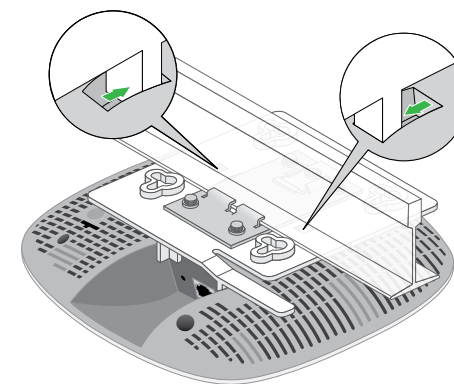
3. Hold the access point upside down, with the bottom facing the plastic bracket that is attached to the metal bracket, and align the two rectangular holes in the bottom of the access point with the protruding hooks on the plastic bracket.



4. Push the hooks into the holes and turn the access point to secure it onto the plastic bracket



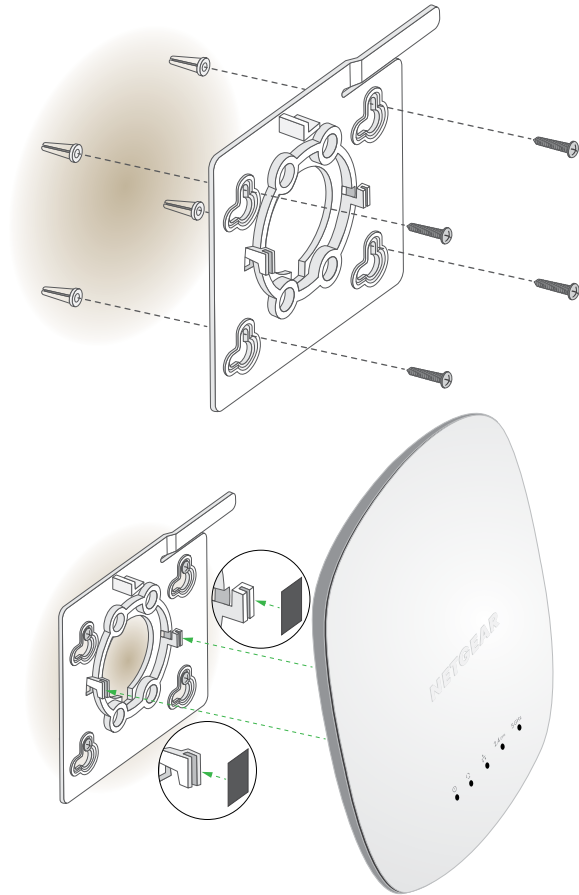
The figure to the right shows the final result.



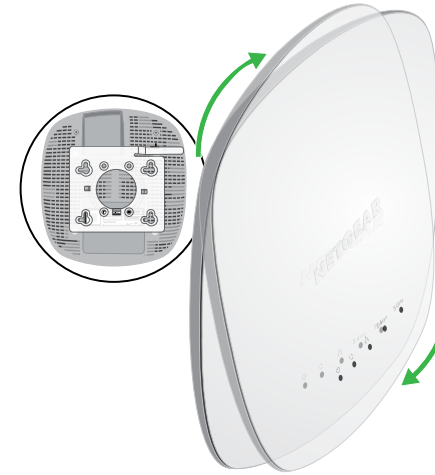
## Wall Installation

### ➤ To mount the access point to a wall:

1. Place the plastic bracket on the wall where you want to mount the access point.
2. Mark the wall where the four outer mounting holes are.
3. Using the wall anchors and tall screws, attach the mounting bracket to the wall.
4. Align the two rectangular holes in the bottom of the access point with the protruding hooks on the plastic bracket.



5. Push the hooks into the holes and turn the access point to secure it onto the plastic bracket.



## Desk Installation

For desk installation, attach the four round rubber feet to the locations marked by the gray circles on the bottom of the access point.

## Support

Thank you for purchasing this NETGEAR product. You can visit [www.netgear.com/support](http://www.netgear.com/support) to register your product, get help, access the latest downloads and user manuals, and join our community. We recommend that you use only official NETGEAR support resources.

Si ce produit est vendu au Canada, vous pouvez accéder à ce document en français canadien à <http://downloadcenter.netgear.com/other/>. (If this product is sold in Canada, you can access this document in Canadian French at <http://downloadcenter.netgear.com/other/>.)

For the current EU Declaration of Conformity, visit [http://support.netgear.com/app/answers/detail/a\\_id/11621/](http://support.netgear.com/app/answers/detail/a_id/11621/).

For regulatory compliance information, visit <http://www.netgear.com/about/regulatory/>.

See the regulatory compliance document before connecting the power supply.



201-22521-01



**NETGEAR INTL LTD**  
Building 3, University Technology Centre  
Curraheen Road, Cork, Ireland

**NETGEAR, Inc.**  
350 East Plumeria Drive  
San Jose, CA 95134, USA

© NETGEAR, Inc., NETGEAR, and the NETGEAR Logo are trademarks of NETGEAR, Inc. Any non-NETGEAR trademarks are used for reference purposes only.

September 2017