



# Hardware Installation Guide

## RBS1830 Adjustable Bracket for Managed Switches

Model: RBS1830

202-12911-01  
May 2026

## Support and Community

Visit [netgear.com/support](https://netgear.com/support) to get your questions answered and access the latest downloads.

You can also check out our NETGEAR Community for helpful advice at [community.netgear.com](https://community.netgear.com).

## Regulatory and Legal

Si ce produit est vendu au Canada, vous pouvez accéder à ce document en français canadien à <https://www.netgear.com/support/enterprise>.

(If this product is sold in Canada, you can access this document in Canadian French at <https://www.netgear.com/support/enterprise>.)

For regulatory compliance information including the EU Declaration of Conformity, visit <https://www.netgear.com/about/regulatory/>.

See the regulatory compliance document before connecting the power supply.

For NETGEAR's Privacy Policy, visit <https://www.netgear.com/about/privacy-policy>.

Where permitted by law, by using this device, you are agreeing to NETGEAR's Terms and Conditions at <https://www.netgear.com/about/terms-and-conditions> and if you do not agree, return the device to your place of purchase within your return period.

This product is designed and warranted for indoor use only. Do not use this device outdoors.

## Trademarks

© NETGEAR, Inc., NETGEAR, and the NETGEAR Logo are trademarks of NETGEAR, Inc. Any non-NETGEAR trademarks are used for reference purposes only.

# Contents

<b>Introduction</b> .....	1
<b>Hardware overview</b> .....	2
Package contents .....	3
Select the correct bracket for the switch .....	4
<b>Visual Installation Guide</b> .....	7
Install a switch in a rack with rear access using the adjustable brackets .....	7
Install a switch in a rack with front-only access using the adjustable brackets .....	12
<b>Detailed Installation Instructions</b> .....	18
Install a switch in a rack with rear access using the adjustable brackets .....	19
Install a switch in a rack with front-only access using the adjustable brackets .....	24
<b>Remove a switch from the adjustable brackets</b> .....	30
<b>Troubleshooting</b> .....	31

# Introduction

The NETGEAR RBS1830 Adjustable Bracket is designed to stabilize the NETGEAR M4250 series and M4350 series fully managed switches with depths between 350–432 mm. For a full list of compatible switch models, see [Select the correct bracket for the switch](#) on page 4. The adjustable brackets are a rear bracket solution for M4250 and M4350 switches. The adjustable brackets attach to the rear posts of the rack to provide a four-post rack support for switches.

## Safety warnings and instructions

Use the following safety instructions when installing or removing the adjustable brackets:

- Do not mix rack thread types. Use either #10-32 or #12-24 screw thread types to match the rack posts.
- Use caution when lifting the switch onto the rack.

For further safety warnings and instructions about the M4250 or M4350 switches, see the hardware installation guides, which you can download by visiting [netgear.com/support/enterprise](https://netgear.com/support/enterprise).

**!** **NOTE:** You can install and remove the adjustable brackets from the front of the rack when only front access is available. For more information, see [Install a switch in a rack with front-only access using the adjustable brackets](#) on page 24.

## Guide overview

This document includes a [Visual Installation Guide](#) on page 7 with visual installation instructions. For detailed installation instructions, see [Detailed Installation Instructions](#) on page 18.

# Hardware overview

The adjustable bracket kit contains the necessary equipment for both front-only and rear installation of the bracket onto a four-post rack.

**!** **NOTE:** NETGEAR does not provide screwdrivers with the package contents. You must provide your own:

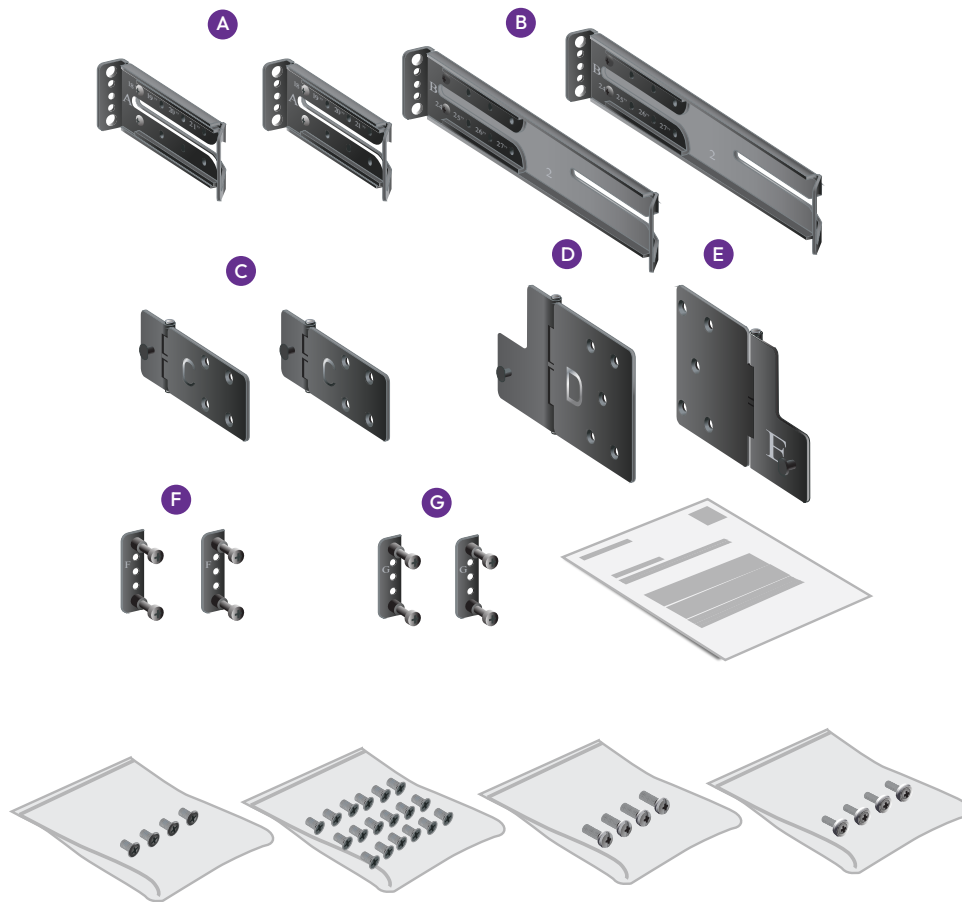
- No. 1 Phillips screwdriver, for torsion hinges and front-mount plates.
- No. 2 Phillips screwdriver, for rack hardware and adjustable bracket screws.

The chapter contains the following sections:

- [Package contents](#)
- [Select the correct bracket for the switch](#)

## Package contents





Figure 1. Adjustable bracket package contents



**!** **NOTE:** There are two sizes for the torsion hinges, for switches that are 1-rack mount unit (1RMU) in height, and for switches that are 2-rack mount unit (2RMU) in height. The adjustable bracket consists of a pre-assembled telescope bracket and a slot bracket.

Each adjustable bracket kit contains a list of the following labeled items:

Table 1. Package contents

Label	Name	Use	Quantity
A	Adjustable bracket 18–24 in. (45.7–61 cm)	For 18–24 in. (45.7–61 cm) racks	2
B	Adjustable bracket 24–30 in. (61–76.2 cm)	For 24–30 in. (61–76.2 cm) racks	2
C	1RMU torsion hinge	For 1RMU switches	2
D	2RMU left torsion hinge	Left hinge for 2RMU switches	1
E	2RMU right torsion hinge	Right hinge for 2RMU switches	1
F	#10-32 UNF front-mount plate	For #10-32 racks	2
G	#12-24 UNC front-mount plate	For #12-24 racks	2
	Medium-sized mounting screws #10-32	For securing bracket to racks using #10-32 hardware	4
	Medium-sized mounting screws #12-24	For securing bracket to racks using #12-24 hardware	4
	Small flat head screws	For securing torsion hinges to the switch	18
	Small round head screws	For securing the front-mount plates to the bracket	4

## Select the correct bracket for the switch

You can find further information about the technical specification of each model of M4250 and M4350 switch in the M4250 or M4350 product data sheets, by visiting [netgear.com/support/enterprise](https://netgear.com/support/enterprise).

## Compatible switch models

The following table provides a list of the M4250 and M4350 fully managed switches which are compatible with the adjustable bracket kit:

Table 2. Compatible switch models

Switch series	Switch height	Switch depth	Switch models
<b>M4250</b>	2RMU	350 mm	<ul style="list-style-type: none"> <li>● M4250-40G8XF-PoE++ (GSM4248UX)</li> </ul>
<b>M4250</b>	1RMU	400 mm	<ul style="list-style-type: none"> <li>● M4250-26G4F-PoE++ (GSM4230UP)</li> <li>● M4250-26G4XF-PoE+ (GSM4230PX)</li> <li>● M4250-40G8F-PoE+ (GSM4248P)</li> <li>● M4250-40G8XF-PoE+ (GSM4248PX)</li> </ul>
<b>M4350</b>	1RMU	400 mm	<ul style="list-style-type: none"> <li>● M4350-24G4XF (GSM4328)</li> <li>● M4350-48G4XF (GSM4352)</li> <li>● M4350-24M4X4V (MSM4332)</li> <li>● M4350-44M4X4V (MSM4352)</li> <li>● M4350-24X4V (XSM4328CV)</li> <li>● M4350-24F4V (XSM4328FV)</li> <li>● M4350-36X4V (XSM4340CV)</li> <li>● M4350-24X8F8V (XSM4340V)</li> <li>● M4350-32F8V (XSM4340FV)</li> <li>● M4350-16V4C (VSM4320C)</li> <li>● M4350-40X4C (XSM4344C)</li> <li>● M4350-40F4C (XSM4344FC)</li> <li>● M4350-8M2V (MSM4310)</li> <li>● M4350-24F4X (MSM4328F)</li> <li>● M4350-8X8F (XSM4316)</li> <li>● M4350-12X12F (XSM4324)</li> <li>● M4350-16C (CSM4316)</li> </ul>
<b>M4350</b>	1RMU	432 mm	<ul style="list-style-type: none"> <li>● M4350-16M4V (MSM4320)</li> </ul>

## Select the adjustable bracket for the switch

Use the following table to select the correct size parts for the corresponding switch and rack depth. For more information, see [Package contents](#) on page 3 to view a list of the adjustable bracket kit parts and labels.

Table 3. Selection matrix

Switch height	Rack depth	Bracket	Hinge	Front-mount plate
1RMU	18–24 in. (53.4–61 cm)	A	C	F or G
1RMU	24–30 in. (61–76.2 cm)	B	C	F or G
2RMU	18–24 in. (53.4–61 cm)	A	D + E	F or G
2RMU	24–30 in. (61–76.2 cm)	B	D + E	F or G

Adjustable bracket A comes pre-assembled at 18 in. (45.7 cm).

Adjustable bracket B comes pre-assembled at 24 in. (61 cm).

**!** **NOTE:** Switch model M4250-40G8XF-PoE++ is a 2RMU switch and requires 2RMU hinges, parts D and E.

**!** **NOTE:**

- For rack depths between 21–24 in. (53.4–61 cm), assemble the adjustable bracket A at the 21 in. position. The adjustment slot extends to a 24 in. (61 cm) rack depth.
- For rack depths between 27–30 in. (68.6–76.2 cm), assemble the adjustable bracket B at the 27 in. position. The adjustment slot extends to a 30 in. (76.2 cm) rack depth.
- For 24 in. (61 cm) rack depths, you can use either adjustable bracket A or B.

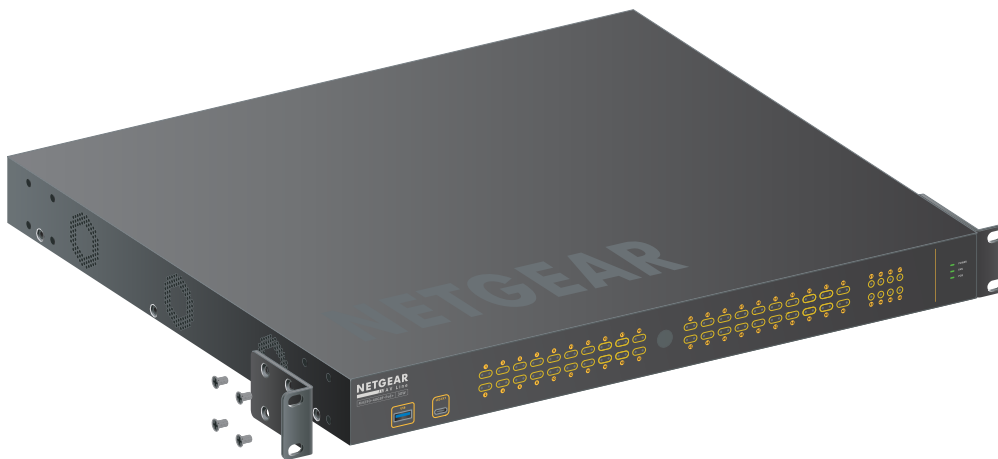
# Visual Installation Guide

You can install the switch on a rack using the adjustable bracket kit even if you do not have access to the rear of the switch. Depending on whether you have access to the rear of the rack, choose one of the following options:

- [Install a switch in a rack with rear access using the adjustable brackets](#) on page 7.
- [Install a switch in a rack with front-only access using the adjustable brackets](#) on page 12.

## Install a switch in a rack with rear access using the adjustable brackets

1. Assemble the small brackets included in the switch package contents on the front of the switch.



2. Assemble the torsion hinges on the rear of the switch.

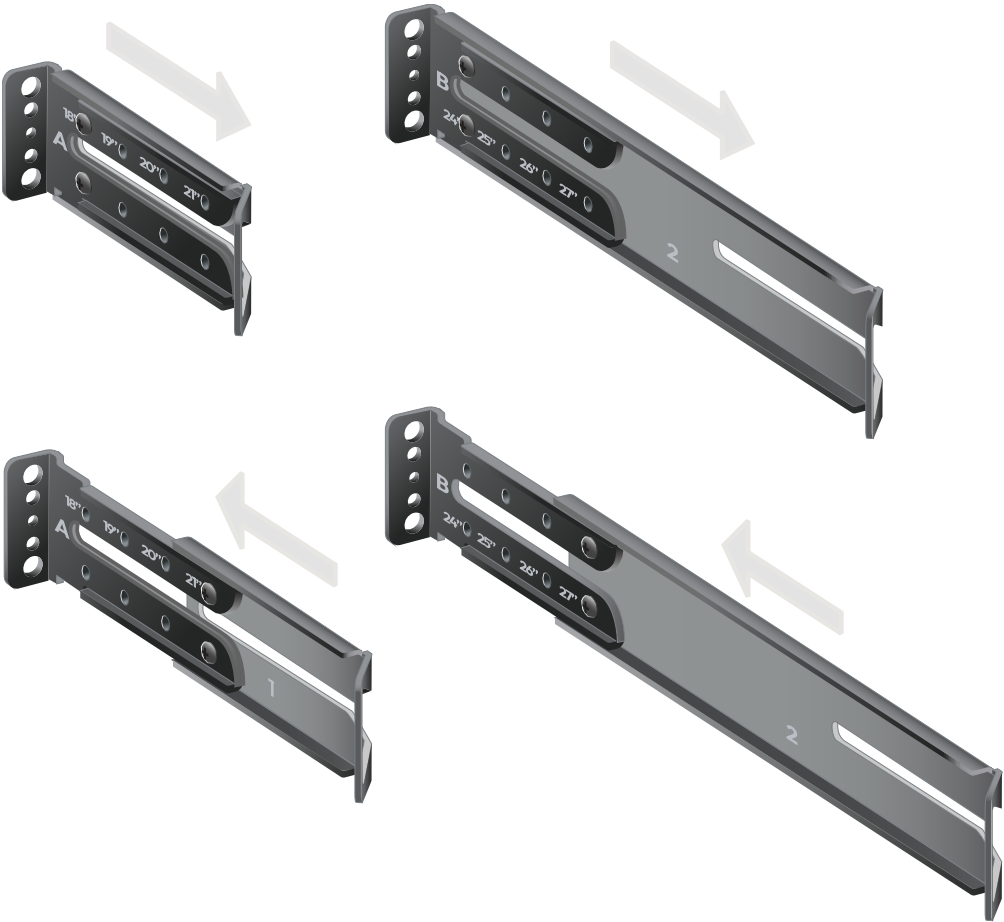
- Option 1: Assemble the 1RMU torsion hinges on the rear of the switch.



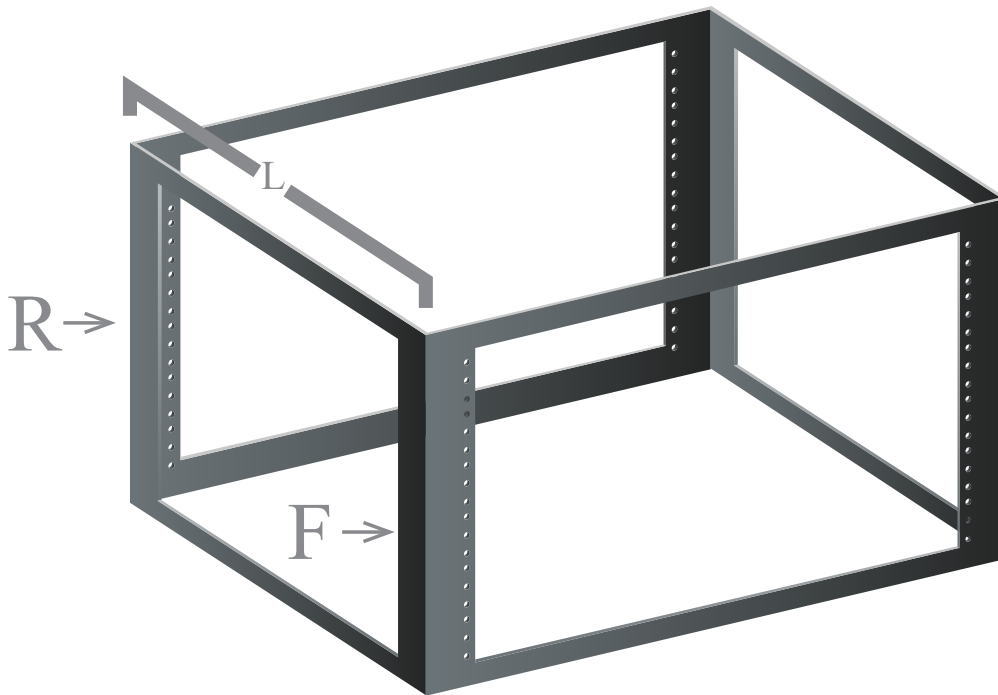
- Option 2: Assemble the 2RMU torsion hinges on the rear of the switch.



3. Assemble the adjustable brackets with the screws depending on your rack depth.



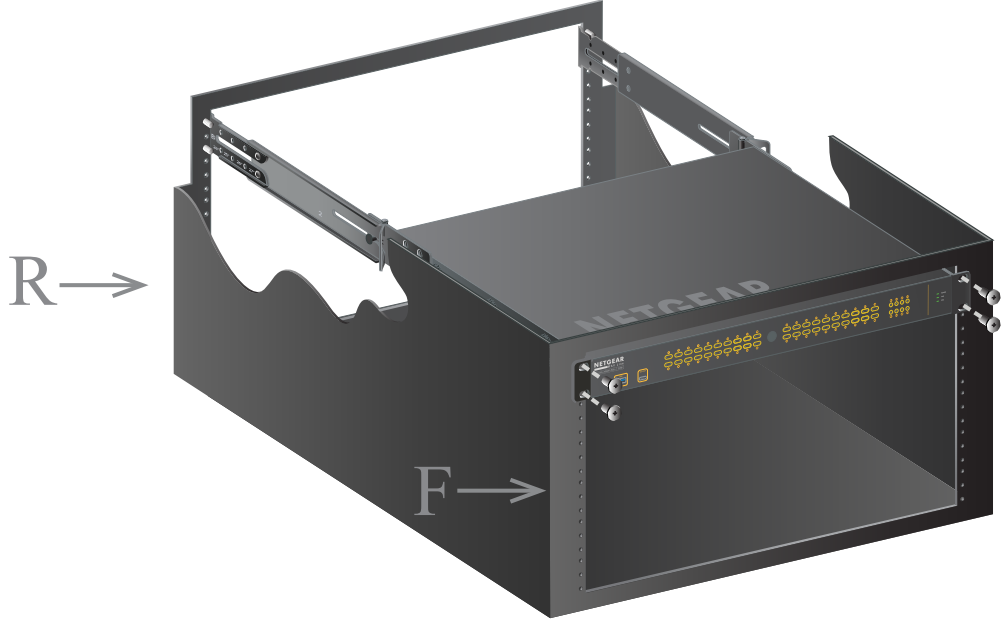
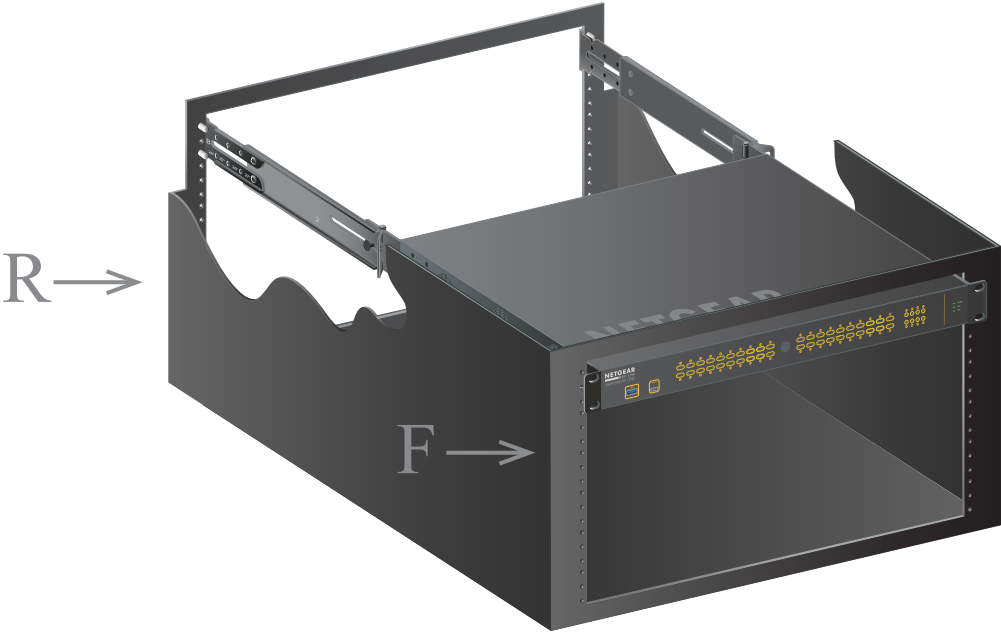
4. Align the mounting holes in the adjustable brackets with the holes in the rear rack posts.



**! NOTE:**

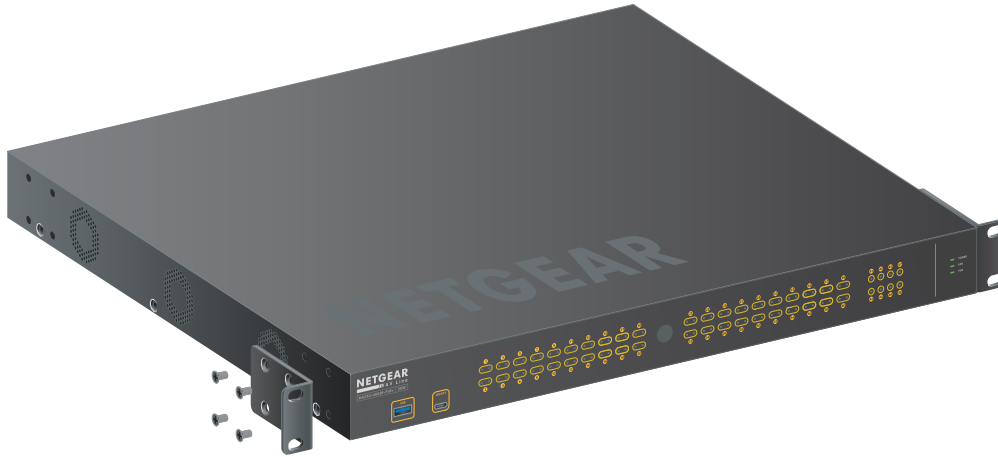
- R: Rear of rack.
- F: Front of rack.
- L: Length of rack.

5. Secure the switch on the rack using the adjustable brackets.



Install a switch in a rack with front-only access using the adjustable brackets

1. Assemble the small brackets on the front of the switch.



2. Assemble the torsion hinges on the rear of the switch.

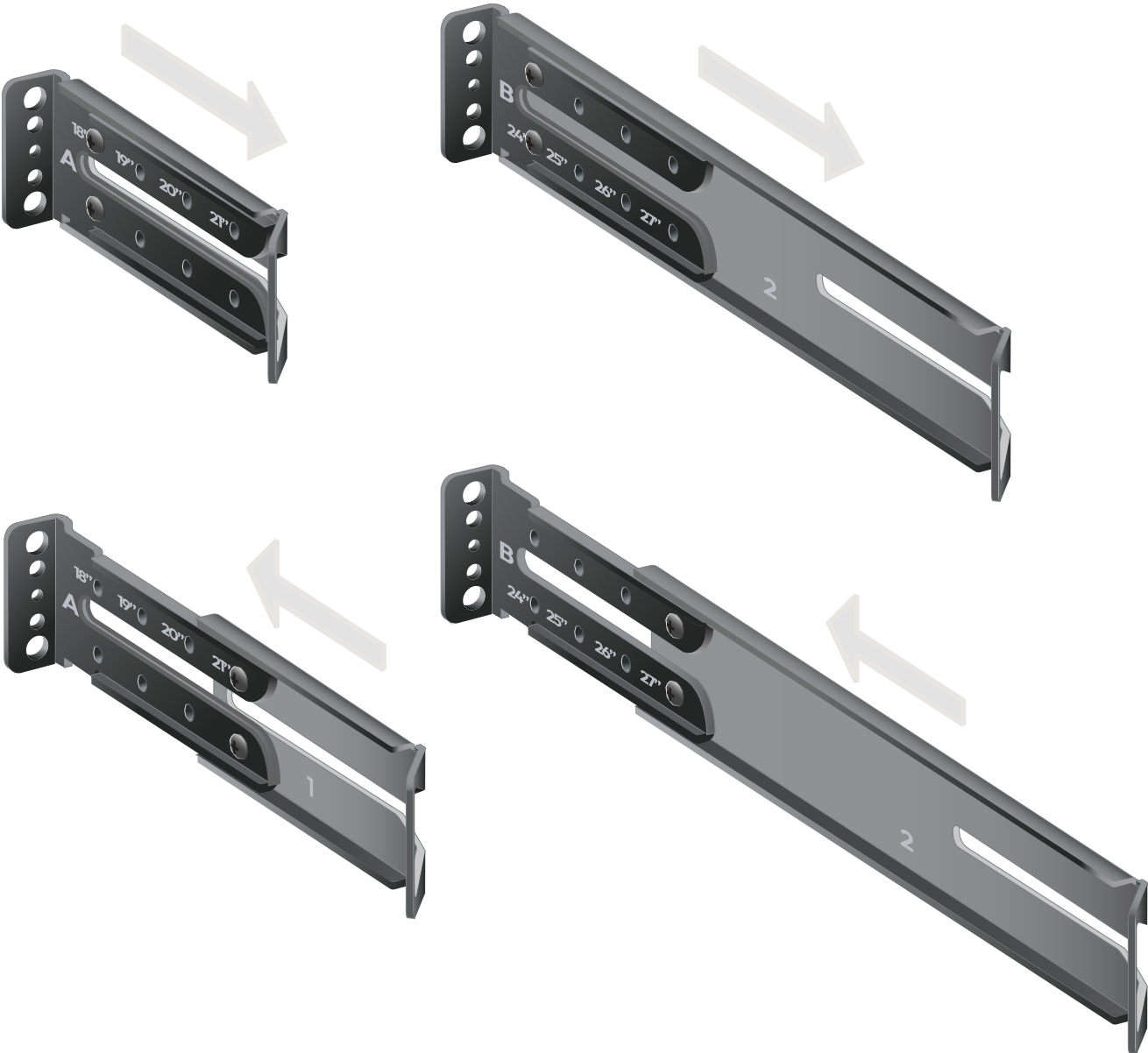
- Option 1: Assemble the 1RMU torsion hinges on the rear of the switch.



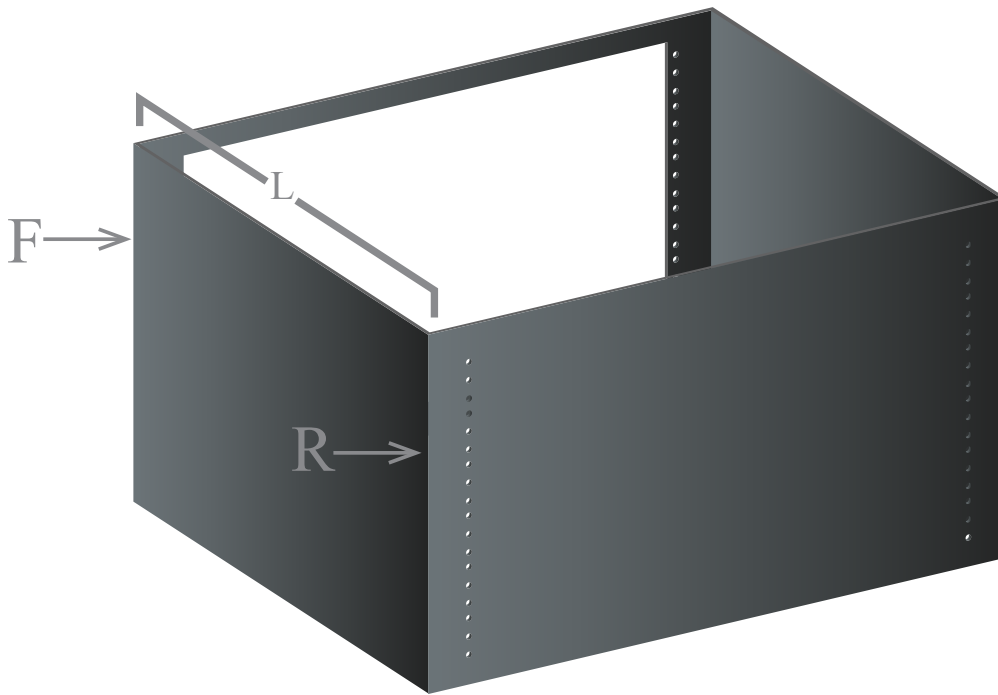
- Option 2: Assemble the 2RMU torsion hinges on the rear of the switch.



3. Assemble the adjustable brackets with the screws depending on your rack depth.



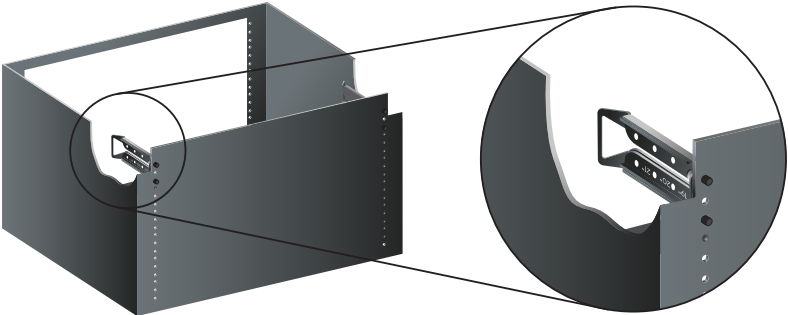
4. Align the mounting holes in the adjustable brackets with the holes in the front-facing flange of the rear rack posts.



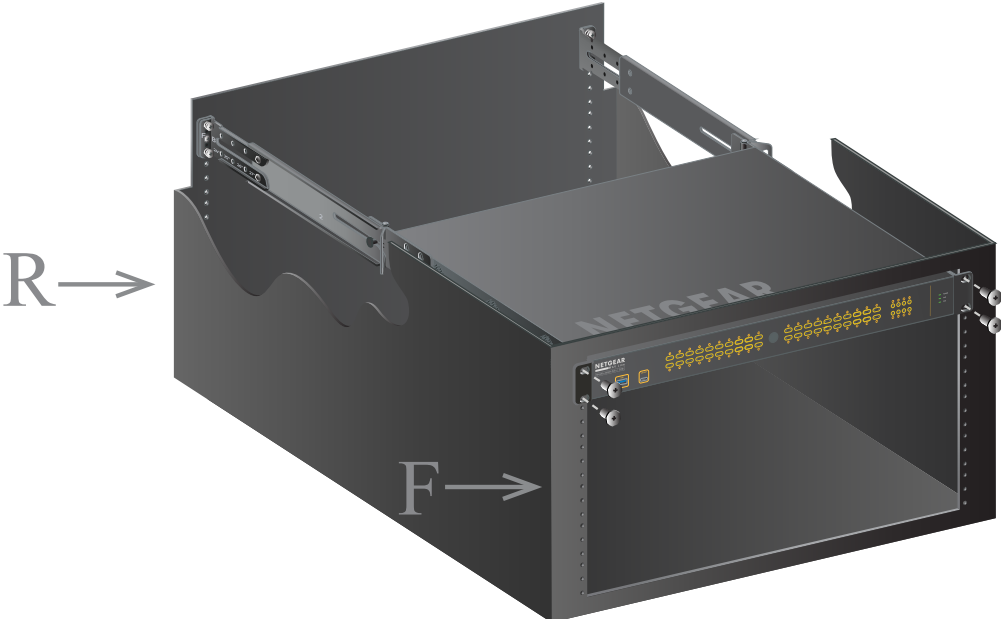
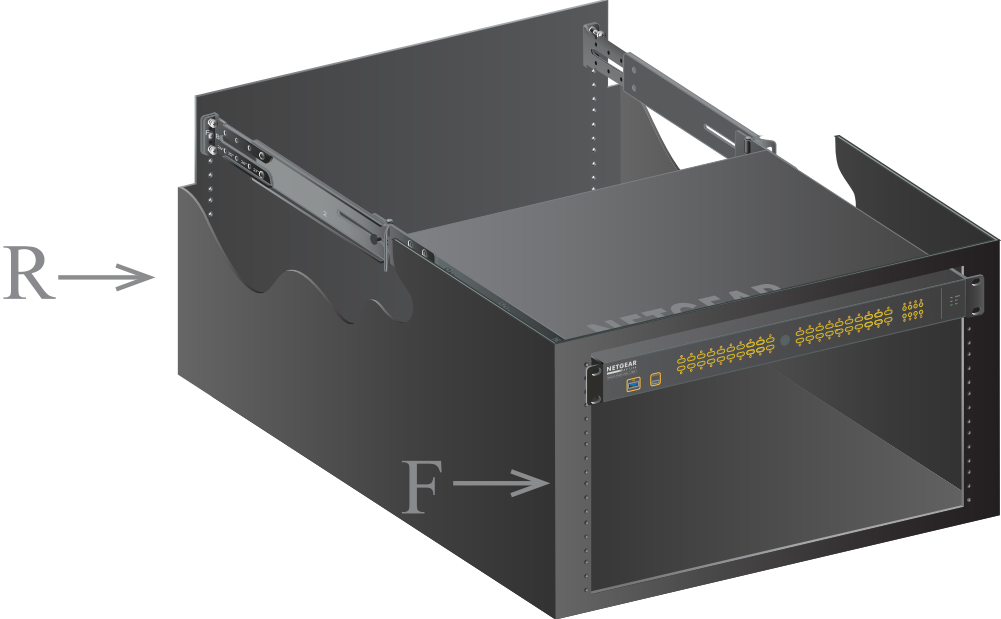
5. Assemble the adjustable bracket.



6. Attach on the front-facing flange of the rear rack posts using the front-mount plate.



7. Secure the switch in the adjustable brackets.



# Detailed Installation Instructions

For information about the package contents and installation guidelines for individual switch models, see the M4250 or M4350 hardware installation guide, which you can download by visiting [netgear.com/support/enterprise](https://netgear.com/support/enterprise).

The adjustable brackets and the torsion hinges connect to form a four-post rack support for the switch.

Before you install the switch onto the rack, you need to attach the small brackets with a depth of 2.75 in. (7 cm) supplied in the mounting kit onto the switch. You also need to assemble the torsion hinges that are supplied in the adjustable bracket kit.

**!** **NOTE:** For visual installation guidelines, see [Visual Installation Guide](#) on page 7.

The chapter contains the following sections:

- [Install a switch in a rack with rear access using the adjustable brackets](#)
- [Install a switch in a rack with front-only access using the adjustable brackets](#)

Install a switch in a rack with rear access using the adjustable brackets

If you can access the rear of the rack, use the following installation instructions.

**NOTE:** For visual installation guidelines, see [Visual Installation Guide](#) on page 7.

**To install the switch in a rack using the adjustable brackets:**

1. Assemble the small brackets to the front left and right sides of the switch by inserting the small screws through each small bracket and into the mounting holes in the switch.



2. Tighten the screws with a Phillips screwdriver to secure each small bracket to the switch.
3. Insert the small screws provided in the adjustable bracket kit through each torsion hinge and insert them into the rear mounting holes on the switch.

- For switches that are 1RMU high, install the 400 mm torsion hinges, parts C, one on either side of the switch.

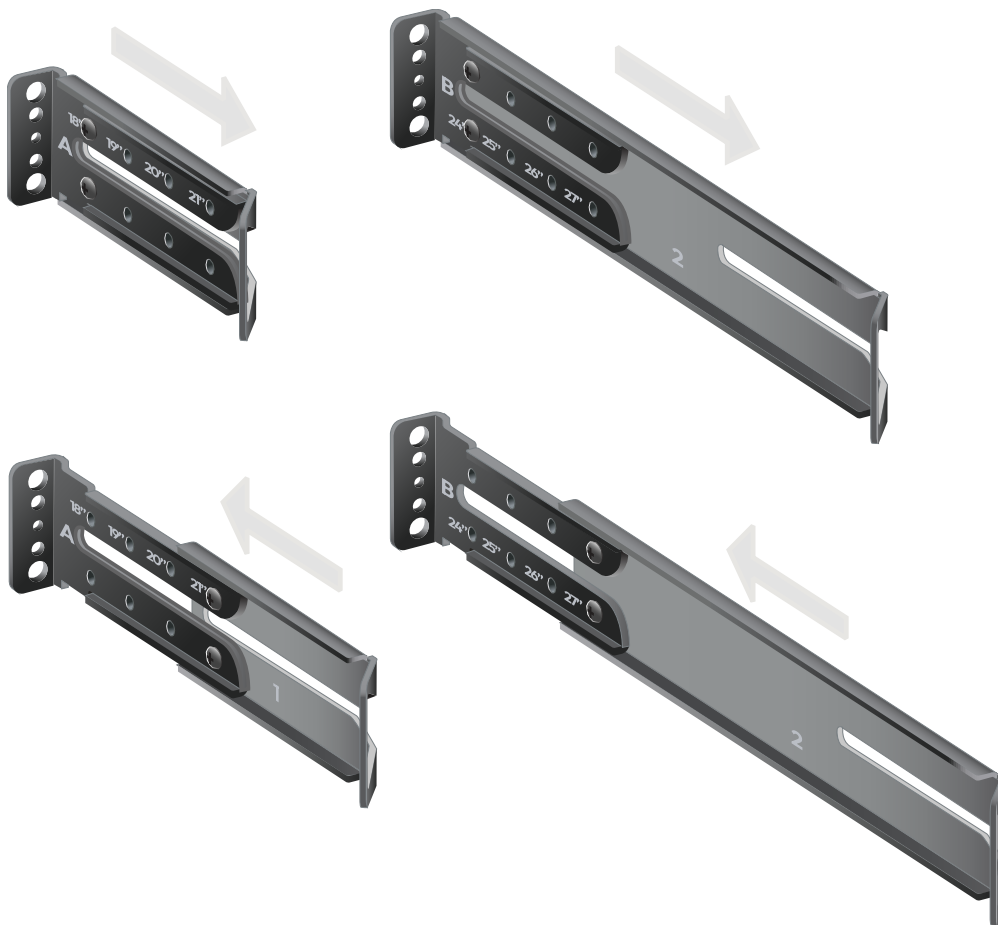


- For switches that are 2RMU high, install the left torsion hinge, part D, on the left of the switch and install the right torsion hinge, part E, on the right of the switch.



4. Tighten the screws with a Phillips screwdriver to secure the torsion hinges to the switch.

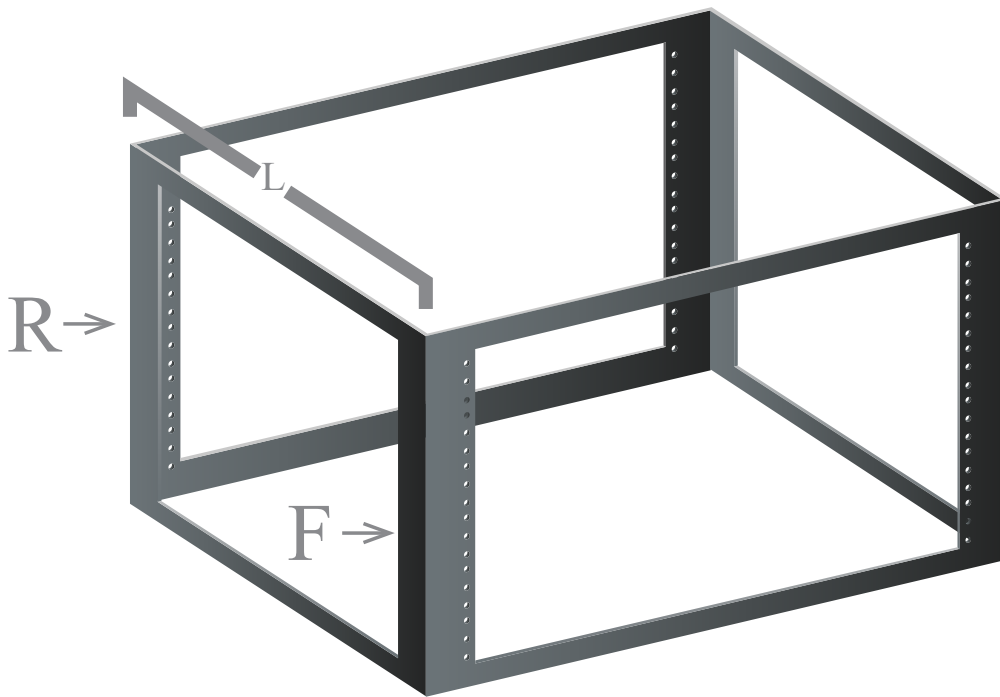
5. Assemble the adjustable brackets with the screws



6. Align the mounting holes in the adjustable brackets with the holes in the rear rack posts.

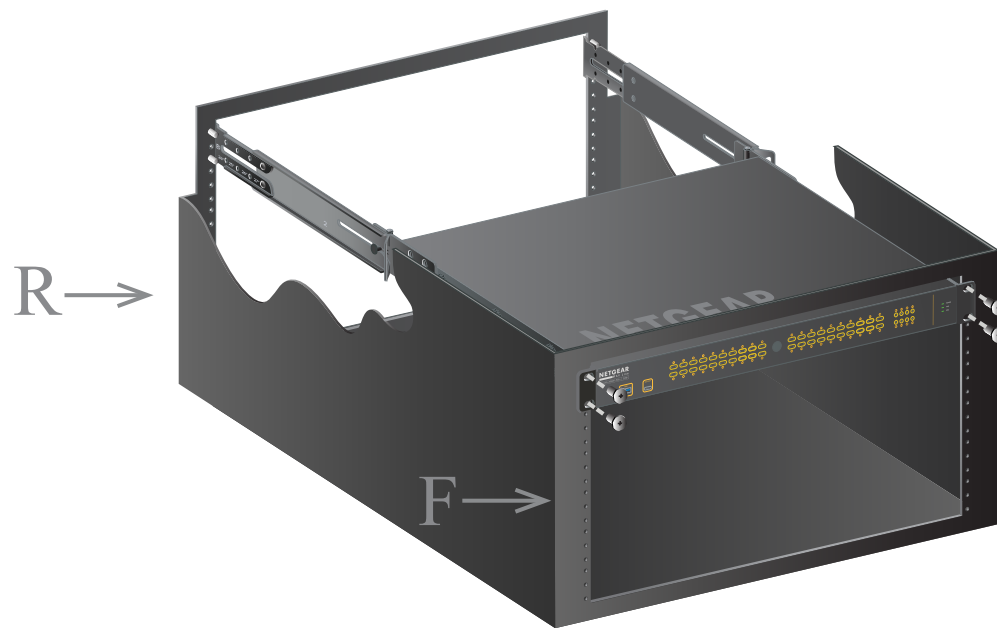
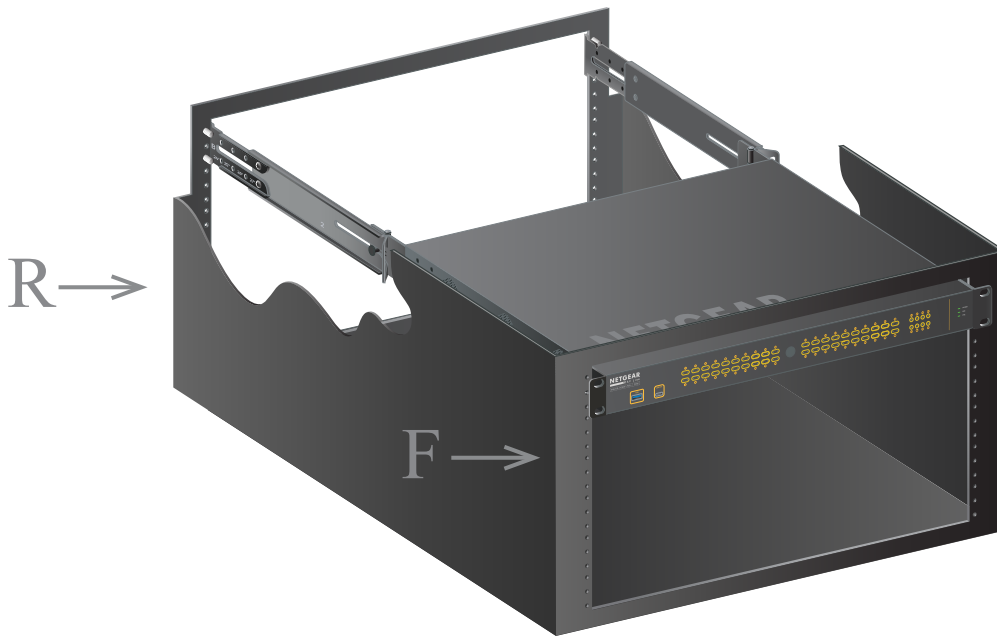
**!** **NOTE:** Use the same thread mounting screws for the rack thread type.

7. Align the switch with the adjustable brackets and use the mounting screws to secure the adjustable brackets with a Phillips screwdriver onto the rack.



8. Insert the switch into the rack from the front of the rack.

Slide the switch forward until the rear tabs fully engage in the adjustable bracket slots.



9. Tighten the mounting screws with a Phillips screwdriver to secure the small brackets to the front rack posts.

10. Tighten the mounting screws on the adjustable brackets with a Phillips screwdriver to secure the brackets to the rear rack posts.

11. Gently pull the switch up and down to ensure the switch is fully secure in the adjustable brackets. Verify that the switch is level, and check the cable and airflow clearance.

## Install a switch in a rack with front-only access using the adjustable brackets

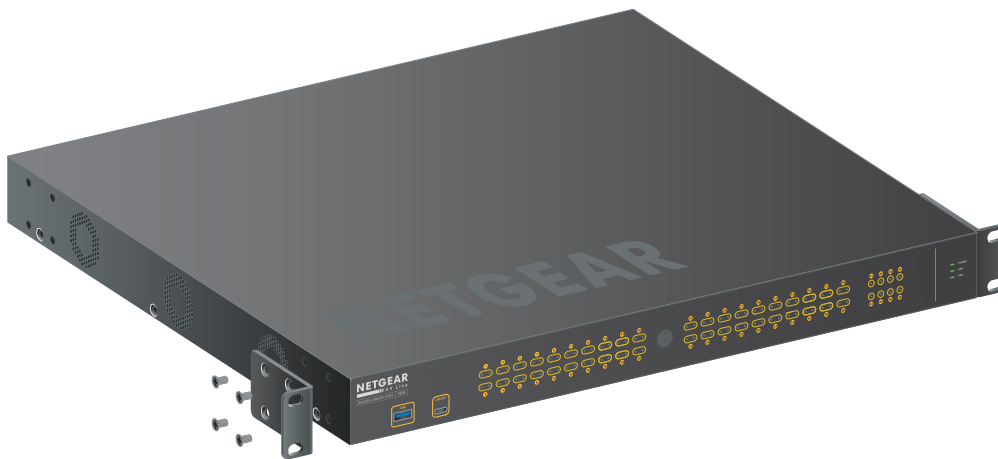
If you can only access the rack from the front, use the following installation instructions.

**!** **NOTE:** Secure the front-mount plates, items F and G, directly onto the adjustable brackets, items A and B, before installing the bracket onto the rack. This eliminates the risk of dropping screws.

**!** **NOTE:** For visual installation guidelines, see [Visual Installation Guide](#) on page 7.

### To install the switch in a rack using the adjustable brackets with front-only access:

1. Assemble the small brackets to the left and right sides of the switch by inserting the small screws through each small bracket and into the mounting holes in the switch.



2. Tighten the screws with a Phillips screwdriver to secure each small bracket to the switch.

3. Insert the small screws provided in the adjustable bracket kit through each torsion hinge and insert them into the mounting holes on the switch.

- For switches that are 1RMU high, install the 400 mm torsion hinges, parts C, one on either side of the switch.

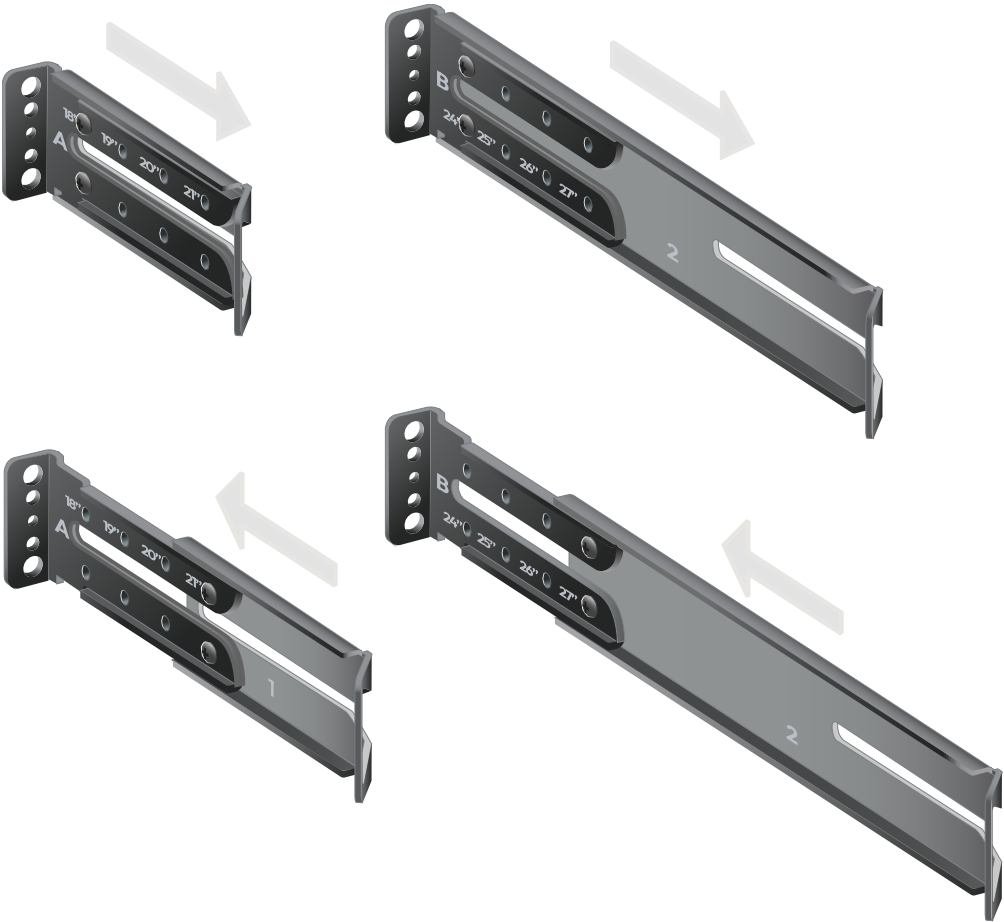


- For switches that are 2RMU high, install the left torsion hinge, part D, on the left of the switch and install the right torsion hinge, part E, on the right of the switch.

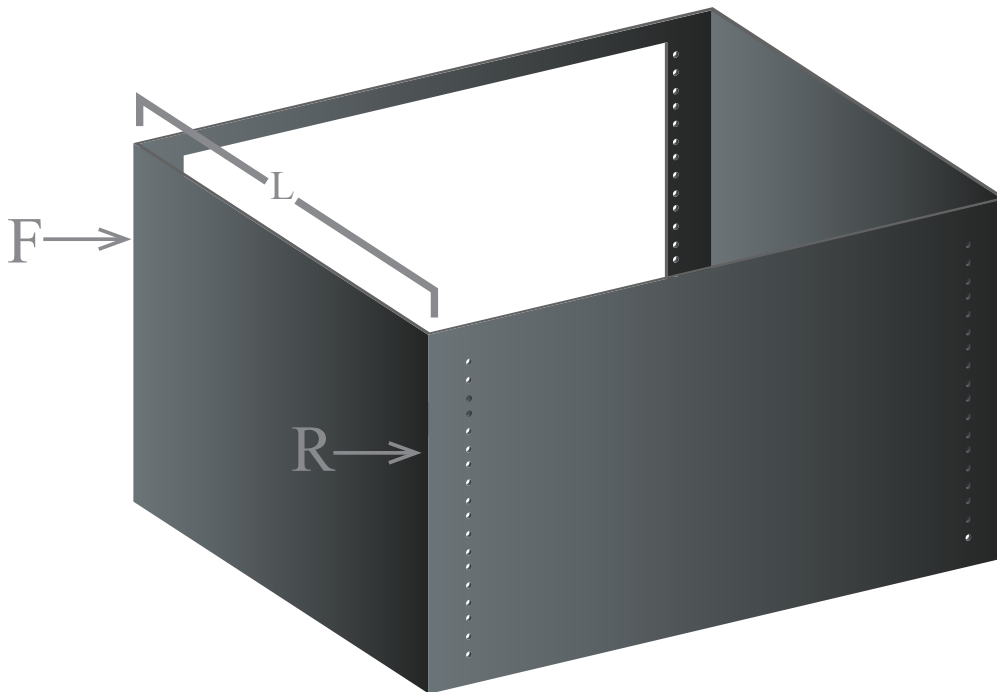


4. Tighten the screws with a Phillips screwdriver to secure the torsion hinges to the switch.

5. Assemble the adjustable brackets with the screws

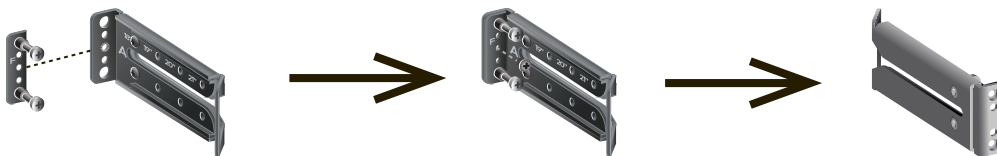


6. Align the mounting holes in the adjustable brackets with the holes in the front-facing flange of the rear rack posts.

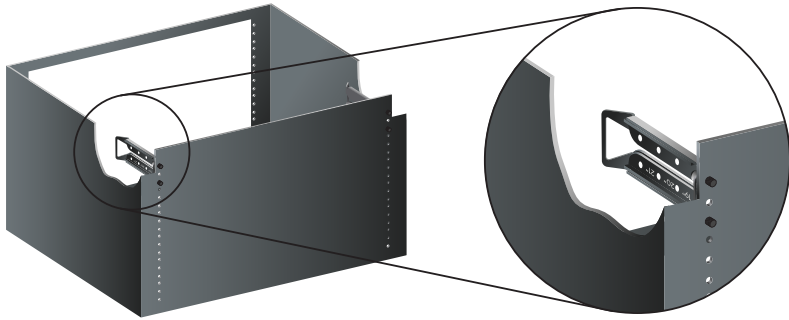


7. Attach the front-mount plates onto the adjustable brackets using the small silver screws.

- Use front-mount plate F for #10-32 rack thread type.
- Use front-mount plate G for #12-24 rack thread type.



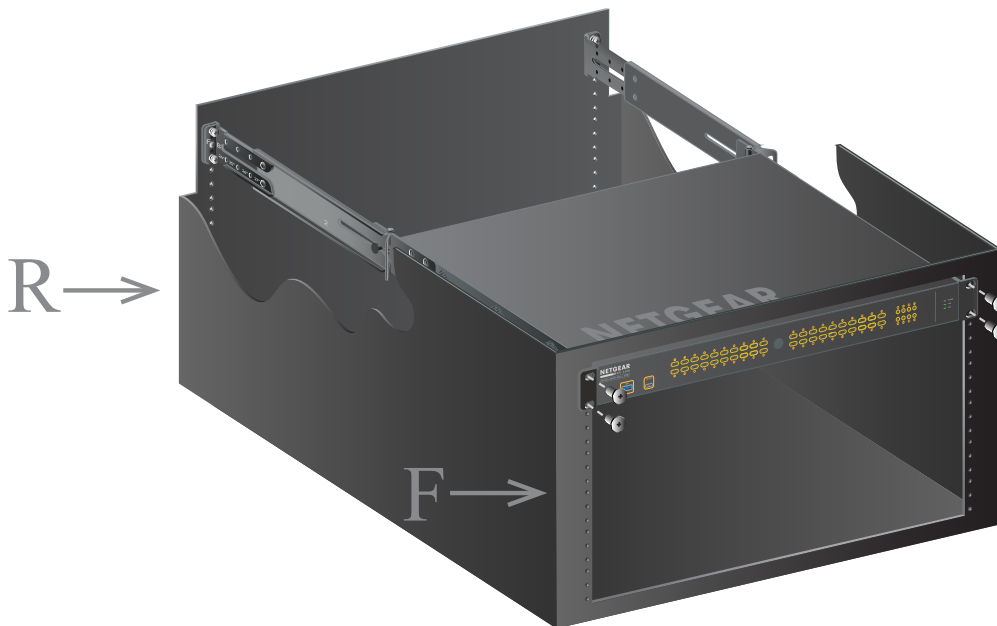
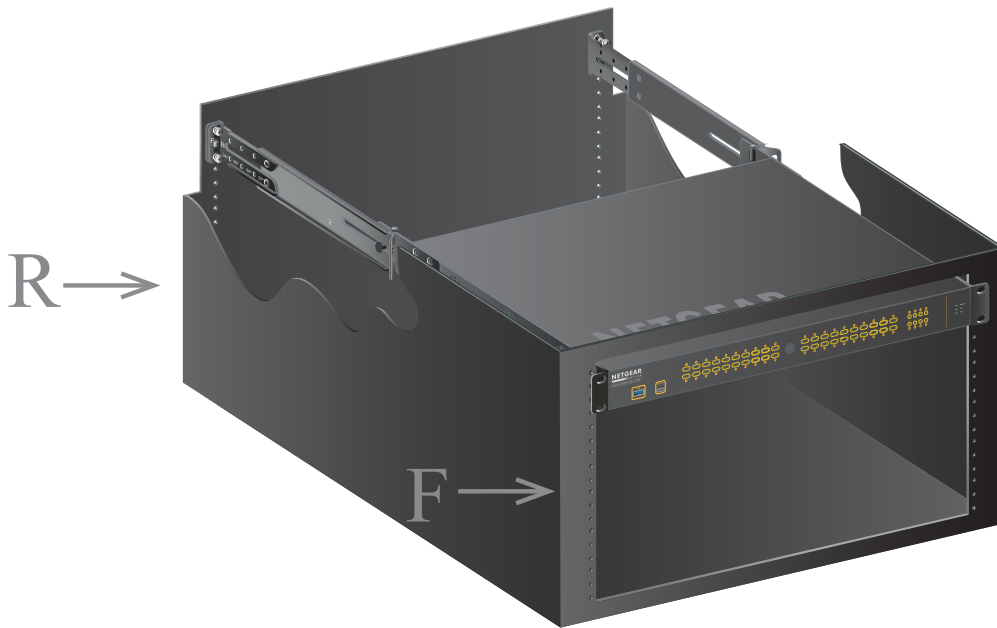
8. From the front of the rack, loosely fasten the adjustable brackets and front-mount plates to the front-facing flange of the rear rack posts with a Phillips screwdriver.



**!** **NOTE:** You might need to tighten the screws at an angle.

9. Insert the switch onto the rack from the front of the rack.

Slide the switch forward until it is fully secure in the adjustable brackets.



10. Tighten the front-mount plate screws with a Phillips screwdriver to secure the adjustable brackets to the rear rack posts.

11. Tighten the mounting screws with a Phillips screwdriver to secure the small brackets to the front rack posts.

12. Gently pull the switch up and down to ensure the switch is fully secure in the adjustable brackets. Verify that the switch is level, and check the cable and airflow clearance.

# Remove a switch from the adjustable brackets

**!** **NOTE:** For visual installation guidelines, see [Visual Installation Guide](#) on page 7.

## To remove the switch from the adjustable brackets:

1. Support the switch from the front of the rack.
2. Loosen the screws on the posts at the front of the rack and remove them from the small brackets on the switch.
3. Release the torsion hinges and slide the switch out of the adjustable brackets.
4. Optional: If you need to remove the adjustable brackets:
  - a. Loosen and remove the mounting screws or the front-mount plates using a Phillips screwdriver.
  - b. Remove the adjustable brackets from the rack.

# Troubleshooting

The following problems might occur when installing or removing the adjustable brackets or switch:

- **The screws do not fit:**

Verify the rack thread type matches the screw threads, either #10-32 or #12-24. You cannot mix the thread types.

**Workaround:** If you are using the correct thread type, re-align the adjustable bracket with the rack to prevent cross-threading.

- **Misalignment when positioning the switch:**

1. Loosen the screws on the adjustable bracket:
  - For rear installation, loosen the mounting screws.
  - For front installation, loosen the screws on the front-mount plate.
2. Reposition the switch on the rack, and slide it into place on the adjustable brackets.
3. Tighten the screws on the front-mount plate.