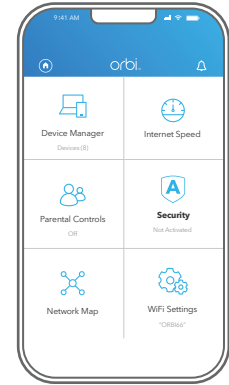
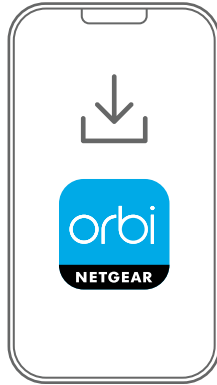


Let's get started



1. Download

On your mobile phone, download the Orbi app and follow the setup instructions.

2. Secure

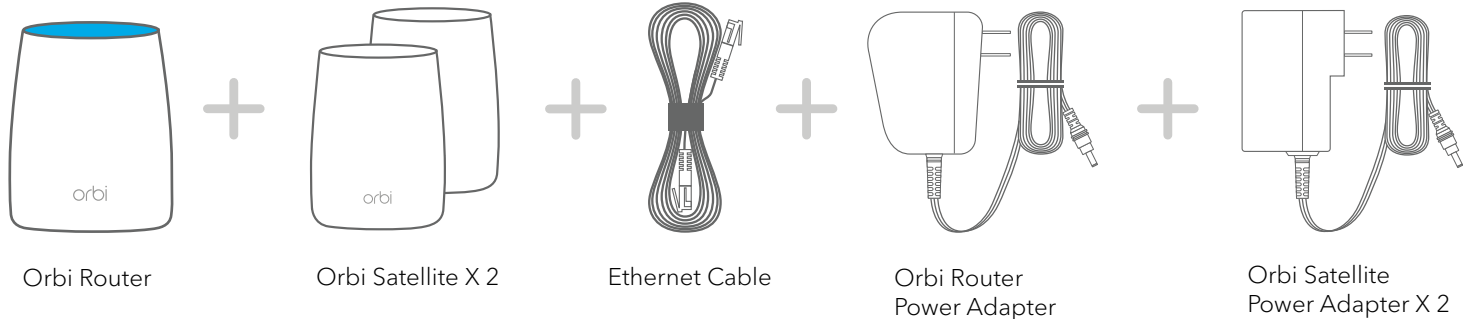
Tap the **Security** icon in your Orbi app to verify that NETGEAR Armor™ is activated.

Your Orbi comes with 1 year of free NETGEAR Armor cybersecurity. Armor blocks online threats like hackers and phishing attempts on your devices.

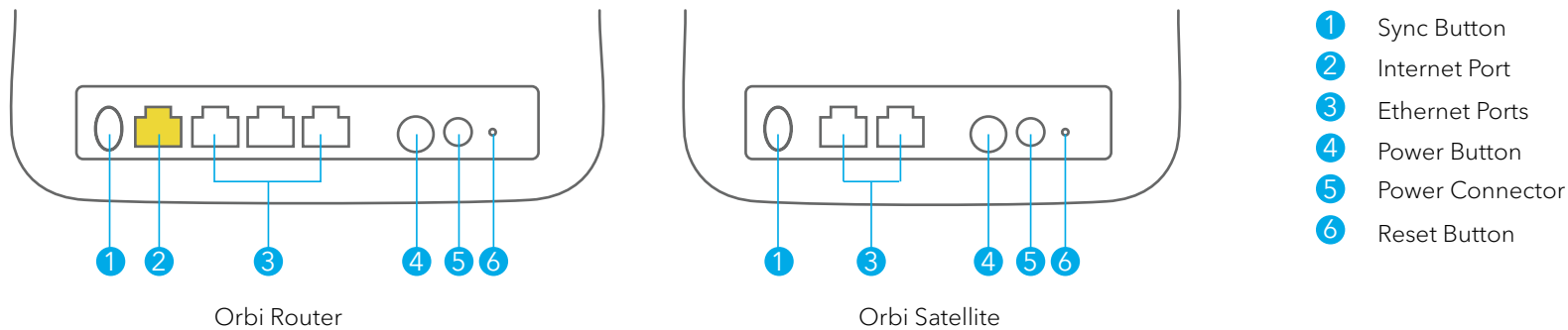
3. Explore

Check out everything you can do on the Orbi app! Pause the Internet, run a speed test, set smart parental controls, and more.

Contents



Overview



Support

We're here to help! Visit www.netgear.com/support to register your product and get your questions answered, access the latest downloads, and join our community.

NETGEAR®

NETGEAR, Inc.
350 East Plumeria Drive
San Jose, CA 95134, USA

© NETGEAR, Inc., NETGEAR and the NETGEAR Logo are trademarks of NETGEAR, Inc. Any non-NETGEAR trademarks are used for reference purposes only.

NETGEAR INTERNATIONAL LTD
Floor 1, Building 3,
University Technology Centre
Curraheen Road, Cork,
T12EF21, Ireland

Si ce produit est vendu au Canada, vous pouvez accéder à ce document en français canadien à <http://downloadcenter.netgear.com/other/>.

(If this product is sold in Canada, you can access this document in Canadian French at <http://downloadcenter.netgear.com/other/>.)

For regulatory compliance information including the EU Declaration of Conformity, visit <https://www.netgear.com/about/regulatory/>.

See the regulatory compliance document before connecting the power supply.

June 2019



201-25416-01