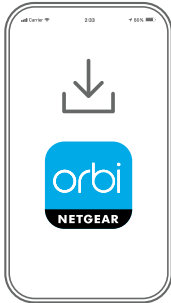


# Let's get started



1

Download the Orbi app and install your Orbi WiFi system

On your mobile phone, download the Orbi app and follow the setup instructions.

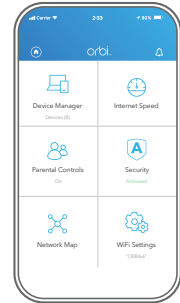


2

Secure your devices with NETGEAR Armor™

Tap the **Security** icon in your Orbi app to verify that your NETGEAR Armor is activated.

Your Orbi comes with NETGEAR Armor cybersecurity. Armor blocks online threats like hackers and phishing attempts on your devices.



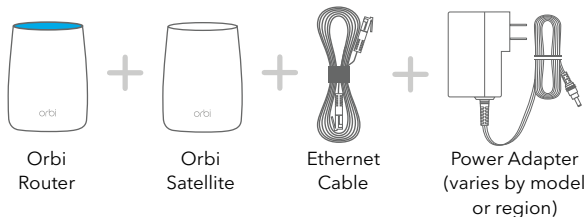
3

Do more with the app

Check out everything you can do on the Orbi app! Pause the Internet, run a speed test, set smart parental controls, and more.

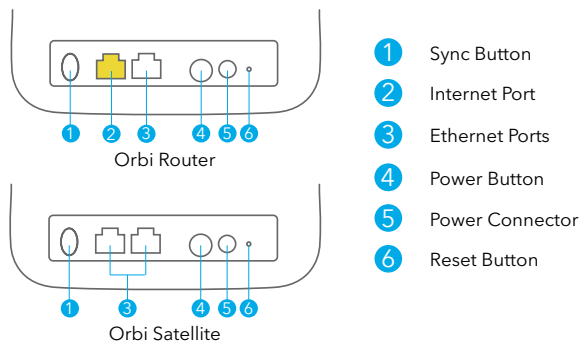
## Contents

The number of items in your package depends on which Orbi WiFi system you purchased.



## Overview

The number of Ethernet ports vary by Orbi model.



June 2020

**NETGEAR, Inc.**  
350 East Plumeria Drive  
San Jose, CA 95134, USA

**NETGEAR®**

© NETGEAR, Inc., NETGEAR and the NETGEAR Logo are trademarks of NETGEAR, Inc. Any non-NETGEAR trademarks are used for reference purposes only.



201-25425-02

**NETGEAR INTERNATIONAL LTD**  
Floor 1, Building 3,  
University Technology Centre  
Curraheen Road, Cork,  
T12EF21, Ireland

## Troubleshooting

If you're having problems with the installation, try one of the following:

- Turn off your modem and Orbi router and disconnect them. Reboot your modem. Reconnect your Orbi router to your modem, and try installing with the Orbi app again.
- If you're still unable to install your Orbi router using the Orbi app, manually install it using the router web interface. Visit [orbilogin.com](http://orbilogin.com) to access the router web interface.

For more information, visit [netgear.com/orbihelp](http://netgear.com/orbihelp).

## Support and Community

Visit [netgear.com/support](http://netgear.com/support) to get your questions answered and access the latest downloads.

You can also check out our NETGEAR Community for helpful advice at [community.netgear.com](http://community.netgear.com).

## Regulatory and Legal

Si ce produit est vendu au Canada, vous pouvez accéder à ce document en français canadien à <https://www.netgear.com/support/download/>.

(If this product is sold in Canada, you can access this document in Canadian French at <https://www.netgear.com/support/download/>.)

For regulatory compliance information including the EU Declaration of Conformity, visit <https://www.netgear.com/about/regulatory/>.

See the regulatory compliance document before connecting the power supply.

For NETGEAR's Privacy Policy, visit <https://www.netgear.com/about/privacy-policy>.

By using this device, you are agreeing to NETGEAR's Terms and Conditions at <https://www.netgear.com/about/terms-and-conditions>. If you do not agree, return the device to your place of purchase within your return period.