

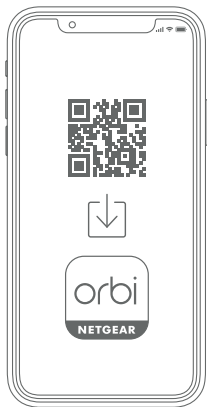
# WELCOME TO A SUPERIOR CLASS OF WIFI. LET'S GET STARTED.

orbi.

1

## Launch the Orbi app

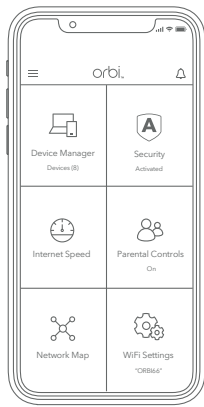
If you don't have the Orbi app installed on your mobile phone, scan the QR code below to download it.



2

## Add the Orbi satellite

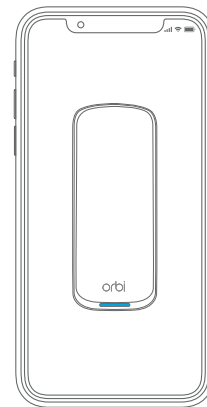
Go to the Orbi app dashboard and tap the top left menu, then ADD SATELLITE.



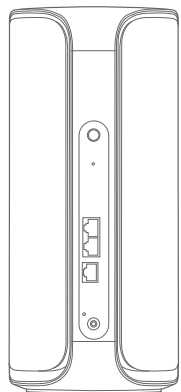
3

## Sync and finish installation

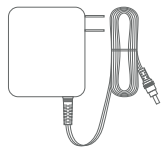
Follow the prompts to sync your new satellite and complete the installation.



## CONTENTS

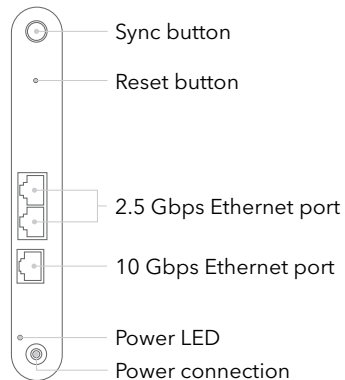


Orbi Satellite



Power Adapter

## OVERVIEW



Sync button

Reset button

2.5 Gbps Ethernet port

10 Gbps Ethernet port

Power LED

Power connection

## NEED HELP?

We want you to have the best experience with your new Orbi. If you need help with setup, or have any questions or concerns, [call us at 1-866-396-4428](tel:1-866-396-4428).

You can also find more setup help online at [netgear.com/orbihelp](https://netgear.com/orbihelp).

## SUPPORT AND COMMUNITY

Get your questions answered and access the latest downloads at [netgear.com/support](https://netgear.com/support), and check out our NETGEAR Community at [community.netgear.com](https://community.netgear.com).

## REGULATORY AND LEGAL

Si ce produit est vendu au Canada, vous pouvez accéder à ce document en français canadien à [netgear.com/support/download](https://netgear.com/support/download). (If this product is sold in Canada, you can access this document in Canadian French at [netgear.com/support/download](https://netgear.com/support/download).) For regulatory compliance information including the EU Declaration of Conformity, visit [netgear.com/about/regulatory](https://netgear.com/about/regulatory). See the regulatory compliance document before connecting the power supply. For NETGEAR's Privacy Policy, visit [netgear.com/about/privacy-policy](https://netgear.com/about/privacy-policy). By using this device, you are agreeing to NETGEAR's Terms and Conditions at [netgear.com/about/terms-and-conditions](https://netgear.com/about/terms-and-conditions). If you do not agree, return the device to your place of purchase within your return period.

Applicable to 6 GHz devices only: Only use the device indoors. The operation of 6 GHz devices is prohibited on oil platforms, cars, trains, boats, and aircraft, except that operation of this device is permitted in large aircraft while flying above 10,000 feet. Operation of transmitters in the 5.925-7.125 GHz band is prohibited for control of or communications with unmanned aircraft systems.

**NETGEAR**

April 2023



201-30703-01

**NETGEAR, Inc.**

350 East Plumeria Drive  
San Jose, CA 95134, USA

**NETGEAR INTERNATIONAL LTD**

Floor 6, Penrose Two  
Penrose Dock, Cork, T23 YY09, Ireland

© NETGEAR, Inc., NETGEAR, the NETGEAR Logo and the Orbi logo are trademarks of NETGEAR, Inc. Any non-NETGEAR trademarks are used for reference purposes only.