

## Technical Support

Thank you for selecting NETGEAR products.

After installing your device, locate the serial number on the label of your product and use it to register your product at <http://www.NETGEAR.com/register>. Registration is required before you can use NETGEAR telephone support service. NETGEAR recommends registering your product through the NETGEAR website.

Visit <http://support.netgear.com> for product updates and web support.

NETGEAR recommends that you use only the official NETGEAR support resources.

**NETGEAR, Inc.**  
350 East Plumeria Drive  
San Jose, CA 95134, USA



201-15223-04

December 2012

# NETGEAR®

Connect with Innovation™

## Dual Band 11ac WiFi Router R6200 Installation Guide



## Package Contents

The box should contain the following items. If any items are incorrect, missing, or damaged, contact your NETGEAR dealer.



Dual Band WiFi Router



Ethernet cable



Power adapter

**Note:** In some regions, a resource CD is included with your product.

**Important:** Be sure to remove the plastic film from the router before using it.

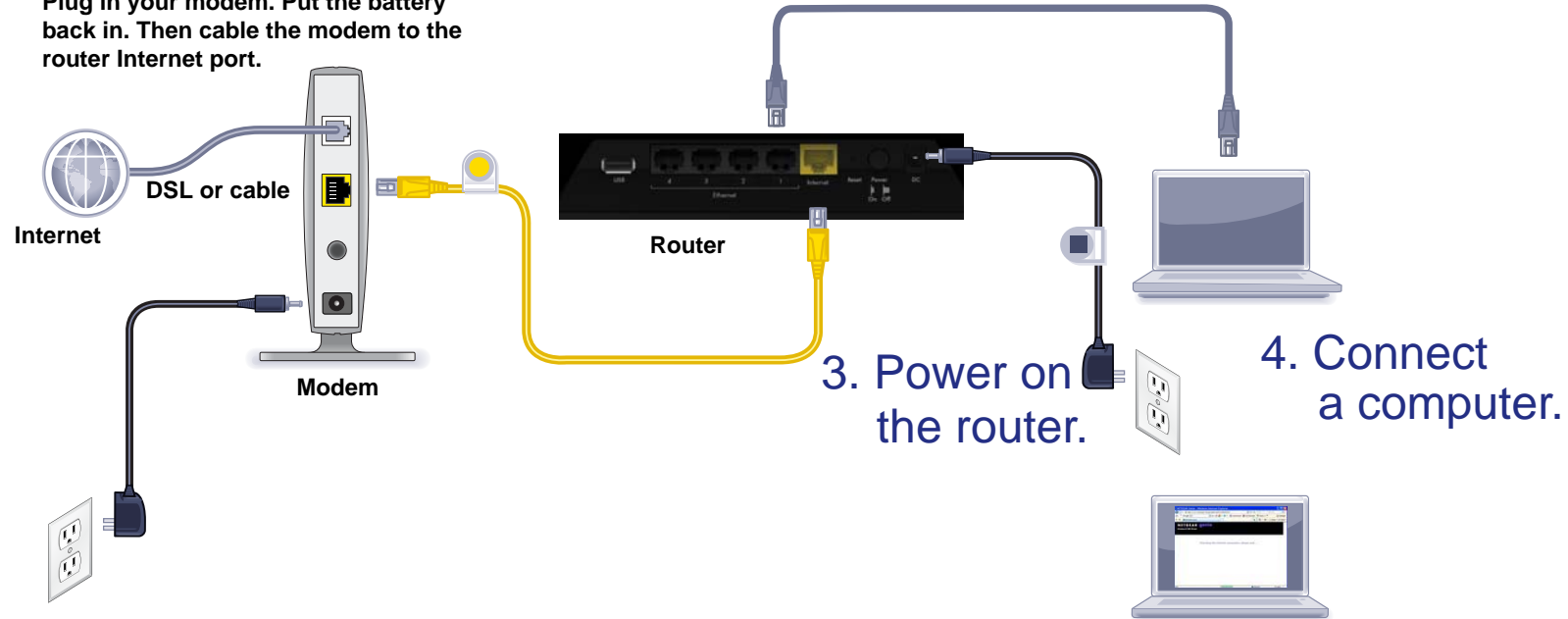
You can use this diagram to connect your router or follow the detailed instructions in this booklet.

## 1. Prepare your modem.

Unplug your modem. If it has a battery backup, remove the battery.

## 2. Connect your modem.

Plug in your modem. Put the battery back in. Then cable the modem to the router Internet port.



## User Manual

You can get the user manual online at <http://downloadcenter.netgear.com> or through a link in the products's user interface.

## Declarations of Conformity

For complete EU Declarations of Conformity, visit [http://support.netgear.com/app/answers/detail/a\\_id/11621/](http://support.netgear.com/app/answers/detail/a_id/11621/).

© NETGEAR, Inc. All rights reserved.

Intended for indoor use only in all EU member states, EFTA states, and Switzerland

# Contents

## Install Your Router 2

- Prepare your modem. 2
- Connect your modem. 2
- Power on the router. 3
- Connect a computer. 3
- Launch a browser. 4

## Preset Wireless Security 4

- Wireless Network Settings 5

## Add Wireless Devices to the Network 6

- WPS Method 6
- Manual Method 6

## Access the Router to Make More Changes 7

## Troubleshooting 9

## ReadySHARE Access 9

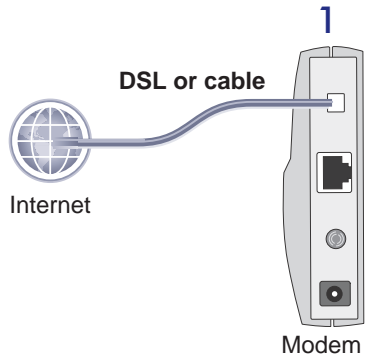
## Other Features 10

# Install Your Router

Make sure that your Internet service is active before you install the router. Follow steps 1 through 5.

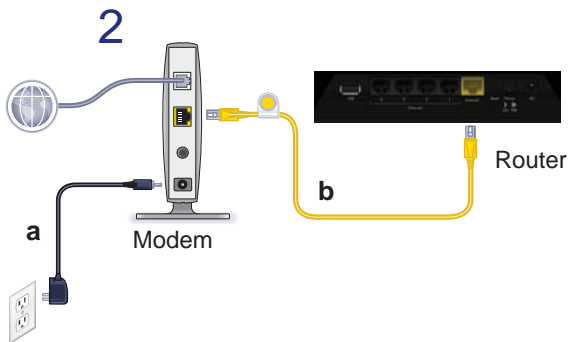
## 1. Prepare your modem.

- Unplug your modem's power.
- If the modem has a battery backup, remove its batteries.
- If your modem was already connected to another router, disconnect the cable between your modem and that router.



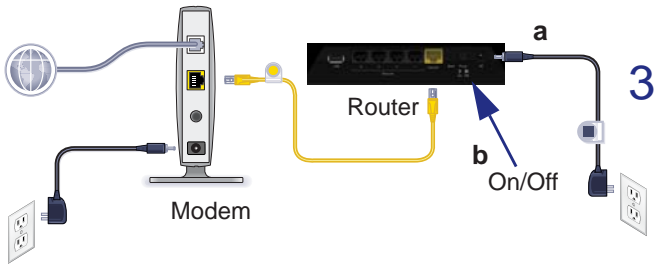
Your modem should now be completely turned off, and cabled only to the wall jack for your Internet service.

## 2. Connect your modem.



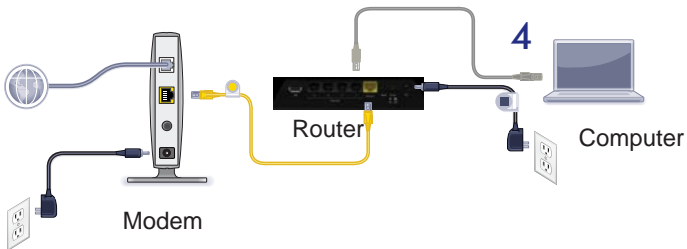
- Plug in, then turn on your modem. (Replace the batteries if you removed them previously.)
- With the yellow Ethernet cable that came with the router, connect your modem to the Internet port of your router.

### 3. Power on the router.



- a. Connect the power adapter to the router and plug the power adapter into an outlet.
- b. Before going to Step 4, wait for the Wireless LED on the front panel of the router to light. If none of the LEDs on the front panel are lit, press the **Power On/Off** button on the rear panel of the router.

### 4. Connect a computer.



You can use an Ethernet cable (not included) or connect wirelessly.

- Use the Ethernet cable to connect your computer to an Ethernet port on your router.
- Or connect wirelessly by using the preset wireless security settings shown on the product label.

## 5. Launch a browser.

If a web page does not open, close and reopen the browser and type **http://routerlogin.net** in the address bar, or see *Troubleshooting* on page 9.

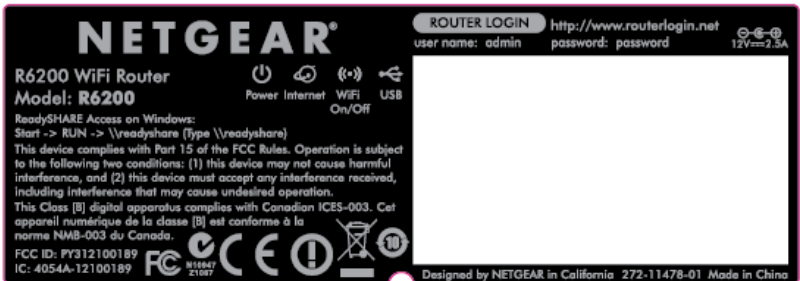
5



## Preset Wireless Security

This product has a *unique* WiFi network name (SSID) and network key (password). The default SSID and password are uniquely generated for every device, like a serial number, to protect and maximize your wireless security. This information is on the product label.

NETGEAR recommends that you do not change the preset SSID or password. If you do change the settings, the security SSID and password on the bottom of the product no longer apply.



# Wireless Network Settings

Record the default preset wireless settings that are printed on the label here for easy reference.

WiFi network name (SSID):

---

Network key (password):

---

If you change the default settings, record them here for easy reference, and then store this booklet in a safe place:

WiFi network name (SSID):

---

Network key (password):

---

To retrieve or update your wireless password, type **www.routerlogin.net** in a web browser and log in using the default user name (admin) and password (password).


Select **Wireless Settings** to locate your wireless password.

# Add Wireless Devices to the Network

Choose either the manual or Wi-Fi Protected Setup (WPS) method to add wireless computers and other devices to your wireless network.

## WPS Method

If your wireless device supports WPS—NETGEAR calls this method Push 'N' Connect—you might be prompted to press the WPS button on the router instead of entering a password. If you are prompted to press the WPS button:

1. Press the **WPS** button  on the router.
2. Within 2 minutes, press the **WPS** button on the client device, or follow the WPS instructions that came with your wireless device to complete the WPS process. Then the device connects to the router.
3. Repeat this process to add other WPS wireless devices.

**Note:** WPS does not support WEP security. If you try to connect a WEP client to your network using WPS, it does not work.

## Manual Method

1. On the wireless device that you want to connect to your router (iPhone, laptop, computer, gaming device), open the software utility that manages its wireless connections. This utility scans for all wireless networks in your area.
2. Look for the preset NETGEAR WiFi network name (SSID) and select it. The SSID is located on the product label on the router.

**Note:** If you changed the name of your network during the setup process, look for that network name.

3. Enter the preset password (or your custom password if you changed it), and click **Connect**.

Repeat steps 1–3 to add other wireless devices.



# Access the Router to Make More Changes

After you use NETGEAR genie to set up the router, you can log in to the router to view its settings or make changes.

➤ **To log in to the router:**

1. Launch a web browser from a computer or wireless devices that is connected to the router.
2. Type **www.routerlogin.net** or **www.routerlogin.com** in the address field of the browser. A login screen displays:



User name:  ▼

Password:

Remember my password

3. Enter **admin** for the user name and **password** for the password. The router Basic Home screen displays:



See the user manual for more information about the router screens.

- **To change the password for the router user name:**
  1. Log in to the router.
  2. Select **Administration > Set Password** to display the Set Password screen:

The screenshot shows a web form titled "Set Password". At the top right, there are two buttons: "Cancel" (with a close icon) and "Apply" (with a right arrow icon). Below the buttons, there are three text input fields. The first is labeled "Old Password", the second "Set Password", and the third "Repeat New Password". At the bottom left, there is a checkbox labeled "Enable Password Recovery".

3. Type your old password, and type the new password twice.  
NETGEAR recommends that you use the password recovery feature when you change your password.
4. Select the **Enable Password Recovery** check box.
5. Click **Apply**.
6. You are prompted to answer questions, which are saved.

- **To use password recovery to retrieve a forgotten password:**

You must enable password recovery as described in the previous section in order to use this feature.

1. Launch a web browser from a computer or wireless devices that is connected to the router.
2. Type **www.routerlogin.net** or **www.routerlogin.com** in the address field of the browser.
3. When the login screen displays, click **Cancel**.

You are prompted to enter your saved answers so that you can log in to the router.

# Troubleshooting

## If the browser does not display the web page:

- Make sure that the computer is connected to one of the four LAN Ethernet ports, or wirelessly to the router.
- Make sure that the WiFi LED is solid green.
- Close and reopen the browser to make sure that the browser does not cache the previous page.
- Type **http://routerlogin.net**.
- If the computer is set to a static or fixed IP address (this condition is uncommon), change it to obtain an IP address automatically from the router.

## ReadySHARE Access

After installation and setup, you can insert a USB storage device into the USB port on the router and share the contents with other network users. (If your USB device has special drivers, it is not compatible.)

**Note:** If your USB device requires a power supply, you must use it when connecting your USB device to a NETGEAR router or gateway. It might take up to 2 minutes before the USB drive is ready for sharing after it is connected to the router.

### To access your USB device:

#### On Windows systems, use any of these methods:

- Select **Start > Run** and enter **\\readysare** in the dialog box. Click **OK**.
- Open Explorer or Safari and enter **\\readysare** in the address bar.
- Open My Network Places and enter **\\readysare** in the address bar.

## On Mac systems, do this:

1. Select **Go > Connect to Server**.
2. Enter **smb://readyshare** as the server address.
3. Click **Connect**.

The readyshareconnect.exe file (for Windows) is available to download here: [www.netgear.com/readyshare](http://www.netgear.com/readyshare)

## Other Features

For additional features, including Live Parental Controls, traffic metering, ReadySHARE, guest access, and more, log in to your router at <http://routerlogin.net>.

Download the free Desktop NETGEAR genie from [www.NETGEAR.com/genie](http://www.NETGEAR.com/genie).



Automatically fix common network problems and easily manage your home network connections.

No part of this publication may be reproduced, transmitted, transcribed, stored in a retrieval system, or translated into any language in any form or by any means without the written permission of NETGEAR, Inc.

DO NOT stack equipment, or place equipment in tight spaces or in drawers. Be sure your equipment is surrounded by at least 2 inches of air space.

## **Trademarks**

NETGEAR, the NETGEAR logo, and Connect with Innovation are trademarks and/or registered trademarks of NETGEAR, Inc. and/or its subsidiaries in the United States and/or other countries. Information is subject to change without notice. Other brand and product names are registered trademarks or trademarks of their respective holders. © NETGEAR, Inc. All rights reserved.

## **Statement of Conditions**

In the interest of improving internal design, operational function, and/or reliability, NETGEAR reserves the right to make changes to the products described in this document without notice. NETGEAR does not assume any liability that may occur due to the use or application of the product(s) or circuit layout(s) described herein.

