

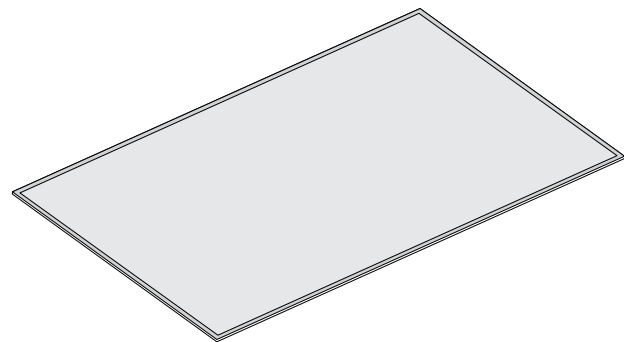
POWERED BY
NETGEAR

Quick Start

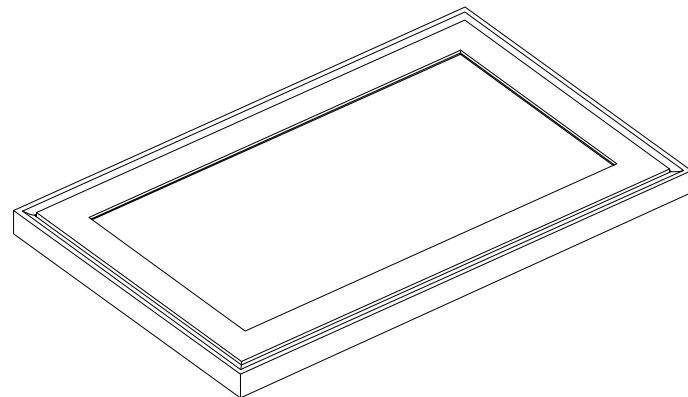
Meural Canvas Cover

Meural 
meural.com/setup

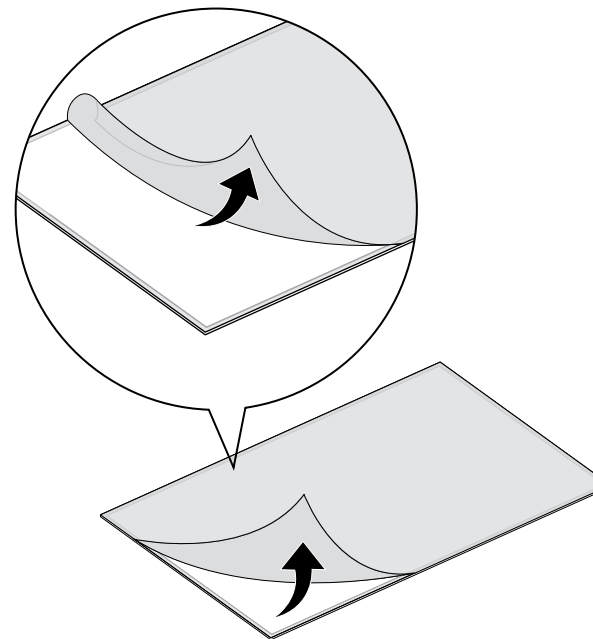
Package contents



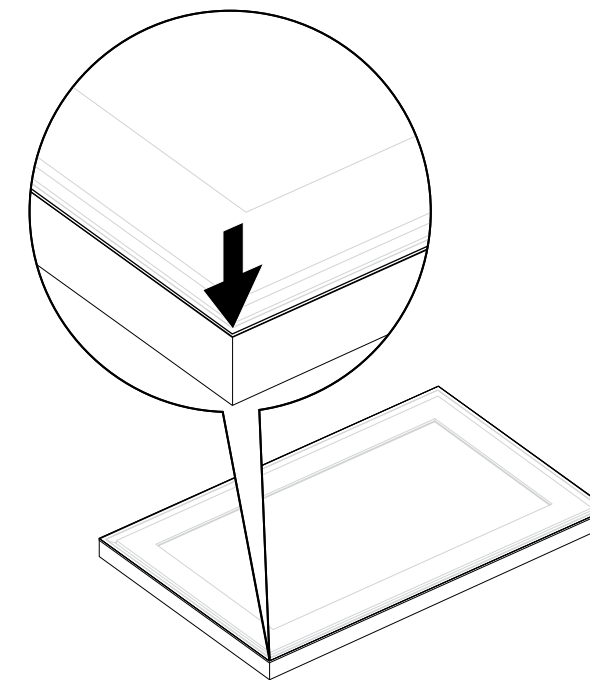
1. Place your Canvas face up on a flat surface such as a table.



2. Remove the tinted film from the cover.



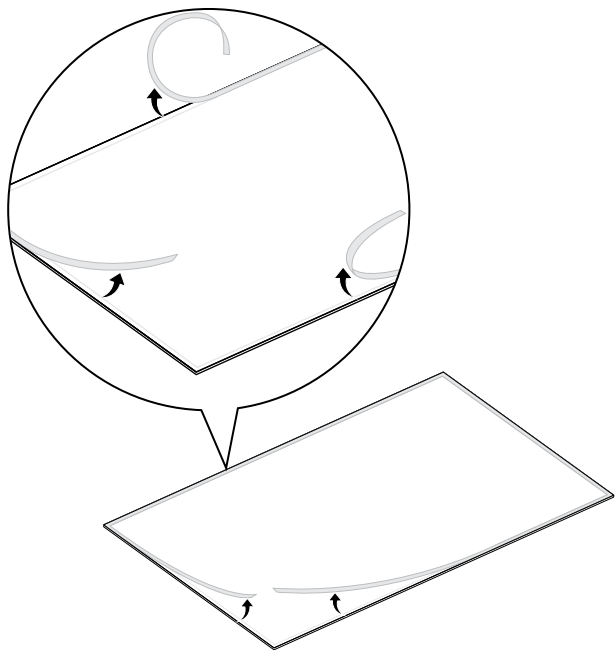
3. Put the cover over your Canvas to become familiar with the placement on the frame of the Canvas



201-26157-01

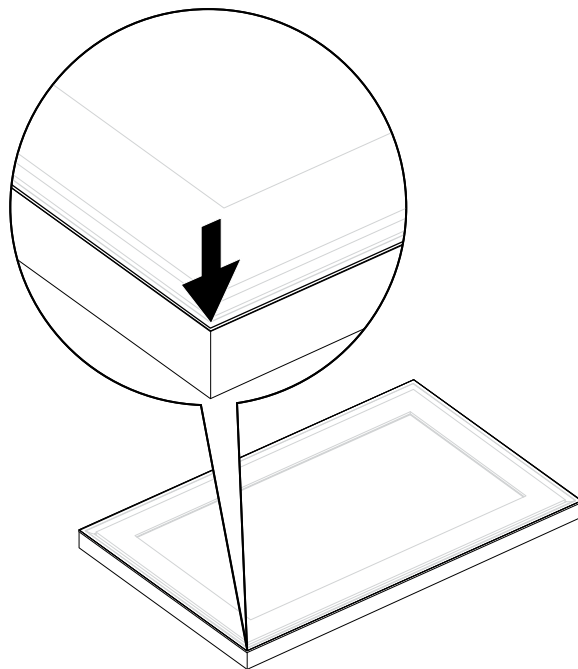
October 2019

4. Remove the plastic strips covering the thin adhesive strips.

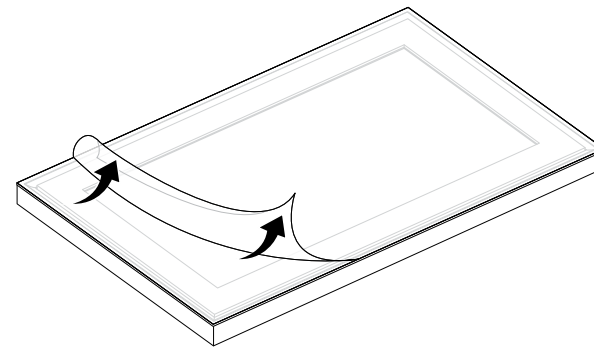


5. Flip the cover over and carefully place the cover on the Canvas with the thin adhesive strips on the frame.

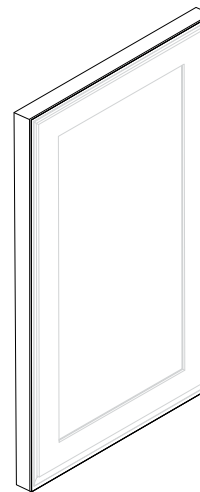
Note The cover's adhesive strips are not meant to be repositionable, although if the cover is not well aligned, you can remove it and replace it.



6. Remove the clear plastic film from the cover .



7. Rehang your Canvas.



Support

Thank you for purchasing this NETGEAR product. You can visit <https://www.netgear.com/support/> to register your product, get help, access the latest downloads and user manuals, and join our community. We recommend that you use only official NETGEAR support resources.

Si ce produit est vendu au Canada, vous pouvez accéder à ce document en français canadien à <https://www.netgear.com/support/download/>.

(If this product is sold in Canada, you can access this document in Canadian French at <https://www.netgear.com/support/download/>.)

For regulatory compliance information including the EU Declaration of Conformity, visit <https://www.netgear.com/about/regulatory/>.

See the regulatory compliance document before connecting the power supply.