

### Performance & Use

- Fast and reliable LTE connection—Maximize your speeds in areas where cable, DSL or fiber Internet are limited or unavailable
- Instant LTE Internet—Plug in an active Nano SIM card from your service provider and instantly access the LTE network as the primary connection for your home or business
- Works with any WiFi router or system—Connect to any WiFi router or system for a boost in range and speed
- Always-on Internet with 4G LTE option
- Gigabit Ethernet ports—Two (2) Gigabit Ethernet ports (1 WAN + 1 LAN)



Certified with  
AT&T, T-Mobile and  
Verizon Wireless.

Not Compatible with Sprint.

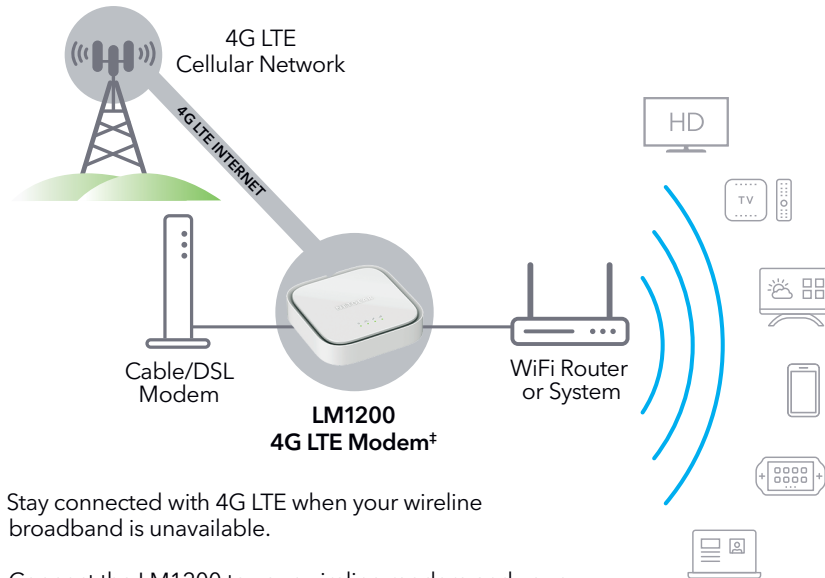
### Overview

For homes with a slow Internet option (DSL) or no fixed-line broadband service, such as cable or fiber, NETGEAR® LM1200 4G LTE Modem provides reliable Internet connection via LTE network. Blast past your limitations and maximize your Internet speeds up to 150Mbps to experience fast download speeds for ultimate streaming and gaming.

### Fast 4G LTE Internet Access

- Fast and reliable LTE connection—Maximize your Internet speeds with the LTE cellular network. Available with speeds up to 150Mbps for homes with slow Internet option (DSL) or no fixed-line broadband service
- Instant LTE Internet—Plug in an active Nano SIM card from your service provider and instantly access the LTE network as the primary connection for your home or business
- Gigabit Ethernet ports—Two (2) Gigabit Ethernet ports (1 WAN + 1 LAN) available for directly connecting to any device, such as a laptop, a gaming console, or a smart TV
- Works with any WiFi router or system—Connect with any wireless router or WiFi system for a boost in range and speed for all devices in your entire home or office
- Always-on Internet with 4G LTE option—Reliable backup Internet source, allowing you to stay connected without any disruption when your wireline broadband is unavailable

Access 4G LTE instantly. Connect the LTE modem directly to any device or any WiFi router.

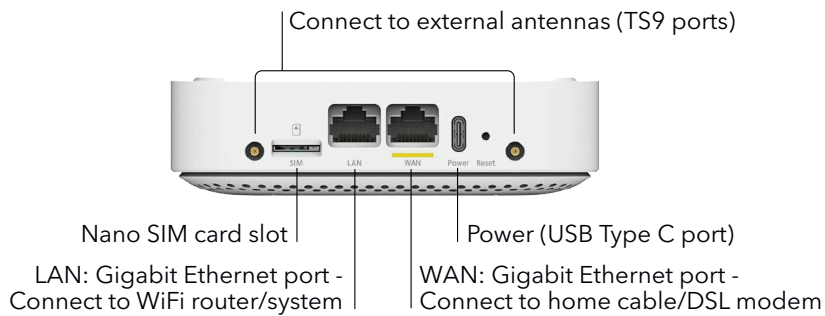


Stay connected with 4G LTE when your wireline broadband is unavailable.

Connect the LM1200 to your wireline modem and your WiFi router for reliable WAN failover.

\*Compatible with activated Nano SIM cards from major 4G LTE service providers.

### Connection Diagram



## Package Contents

---

- LM1200 4G LTE Modem
- USB power adapter
- USB Type-C cable
- Ethernet cable
- Quick start guide

## Physical Specifications

---

- Dimensions: 4.56 x 4.56 x 1.27 in (116 x 116 x 32.25 mm)
- Weight: 0.39lb (180g)

## Band Support

---

- LTE CAT 4 (Up to 150Mbps DL and 50Mbps UL): B2/B4/B5/B12/B13/B14/B66/B71
- UMTS DC-HSPA+ (Up to 42Mbps): B2/B4/B5

## Power Adapter

---

- DC 5V, 2A
- USB Type-C cable

## External Ports

---

- One (1) USB Type-C for power
- Two (2) Gigabit Ethernet ports
- One (1) Nano SIM slot
- Two (2) TS9 RF ports

## System Requirements

---

- Compatible 3G/4G LTE mobile service (4FF Nano SIM)
- Microsoft® Windows® 10, 8, 8.1, 7, Vista, XP, Mac OS® (10.6.8 and newer) and other operating systems running a TCP/IP network (for accessing web management user interface)
- Compatible browsers such as Microsoft® Internet Explorer® 5.0, Firefox® 2.0, Safari® 1.4, or Google Chrome™ 11.0 browsers or higher (for accessing web management user interface)

## Warranty

---

- [www.netgear.com/warranty](http://www.netgear.com/warranty)
- Extend your warranty & technical support within 90 days of product purchase [US only]. Visit: [prosupport.netgear.com/home](http://prosupport.netgear.com/home)

## Support

---

- 90-day complimentary technical support following purchase from a NETGEAR authorized reseller
- Join the NETGEAR Community Forum. Visit <http://community.netgear.com>

This product comes with a limited warranty that is valid only if purchased from a NETGEAR authorized reseller. [www.netgear.com/warranty](http://www.netgear.com/warranty)

\* 90-day complimentary technical support following purchase from a NETGEAR authorized reseller.

† Actual LTE speed may vary depending on network conditions and internet plan.

For regulatory compliance information, visit [www.NETGEAR.com/about/regulatory](http://www.NETGEAR.com/about/regulatory).

For indoor use only.

NETGEAR and the NETGEAR Logo are trademarks of NETGEAR, Inc. Any other trademarks mentioned herein are for reference purposes only. ©2021 NETGEAR, Inc.