

# 1000 Mbps

for high-performance backbone connectivity



## 1000 Mbps Gigabit Fiber Switch

**GS504**

**NETGEAR**'s GS504 Gigabit Fiber Switch provides backbone connectivity for power workgroups, data centers, and server farms. It delivers the power of Gigabit Ethernet to speed up network performance, with backbone support through four full-duplex Gigabit fiber ports, while preserving ease of use and simple, Plug and Play installation for your small business.

### ROBUST

4 Gigabit duplex SC connectors for 62.5/125 or 50/125 multimode fiber provide high-performance backbone connectivity between workgroups, data centers, and server farms. Non-blocking, the GS504 delivers up to 5.9 million packets per second as it supports 8,000 users or devices on the network.

### COMPETENT

Multimode fiber optics technology provides high security and a network reach of up to 260 meters.

### ACCESSIBLE

Multiple 100 Mbps users can simultaneously access the backbone and servers without network congestion.

### EASYGOING

Self-configuring and easy to install, it's compliant with all major network software and protocols.



Help is there when you need it!

NETGEAR provides free, 24x7

telephone and e-mail technical

support in English, with selected

local language support during

office hours.

[www.NETGEAR.com](http://www.NETGEAR.com)

**NETGEAR™**

**NETGEAR Inc.**

4500 Great America Parkway  
 Santa Clara, CA 95054  
 USA

Phone: 1-888-NETGEAR  
 E-mail: support@NETGEAR.com  
 www.NETGEAR.com

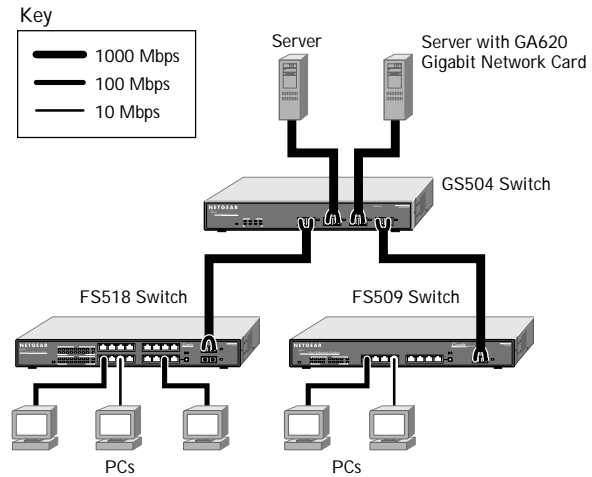
**In-Country Phone Support**

(24x7 phone support in English, local language support during office hours.)

Australia	1800-787-638	Korea	00308-11-0319
Austria	00800-06384327 (00800-0-NETGEAR)	Netherlands	0800-023-0981
Denmark	808-82179	New Zealand	00800-1233-4566
Canada	1-888-NETGEAR	Norway	800-12041
Finland	0800-111-036	Singapore	001-800-1233-4566
France	0800-77-17-53	Sweden	0200-298-298
Germany	00800-06384327 (00800-0-NETGEAR)	Switzerland	00800-0638-4327 (00800-0-NETGEAR)
Hong Kong	001-800-1233-4566	United Kingdom	020-7216-0014
Japan	0120-66-5402	United States	1-888-NETGEAR
		All Other Countries	+1 801-236-8499

NETGEAR™ is a trademark of NETGEAR, Inc. Windows® is a registered trademark of Microsoft Corporation. Other brand and product names are trademarks or registered trademarks of their respective holders. Information is subject to change without notice. All rights reserved.

October 2000

**TECHNICAL SPECIFICATIONS****Network Ports**

Four Gigabit duplex SC connectors for 62.5/125 or 50/125 multimode fiber

**Status LEDs**

Unit: power  
 Per network port: link, activity, full duplex/collision

**Dimensions**

W 330 mm (13")  
 D 207 mm (8.2")  
 H 43 mm (1.7")

**Weight**

2.4 kg (5.3 lb)

**AC power**

25 W 100-240 volt AC  
 Localized power cord for North America, Japan, UK, Europe, Australia

**Standards Compliance**

IEEE 802.3z 1000BASE-SX  
 Gigabit Ethernet

**Performance (64 byte packets)**

Filter rate: 1,480,000 packet per sec  
 Forward rate: 1,480,000 packet per sec  
 Latency: 30 usec max  
 MAC addresses: 8,000

**Environmental Specifications**

Operating temperature: 0 to 40°C  
 Operating humidity: 90% maximum relative humidity, noncondensing

**Electromagnetic Compliance**

CE mark, commercial  
 FCC Part 15 Class A  
 VCCI Class A  
 EN 55022 (CISPR 22), Class A, EN 50082-1 C-Tick  
 TUV EN 60950

**Safety Agency Approvals**

UL listed (UL 1950)/cUL  
 IEC950/EN60950

**Warranty**

Switch: 5 years  
 Power supply: 1 year

**PACKAGE CONTENTS**

GS504 Switch  
 Power cord  
 Rack-mount kit  
 User guide  
 Warranty card  
 Support card



LISTED  
 ITE  
 E151382  
 4C93



www.NETGEAR.com

**NETGEAR™**