

# Put a Gigabit connection in your Fast Ethernet stack



## 10/100/1000 Mbps Stacking Fast Ethernet Switch

**FS517TS**

As switched Fast Ethernet networks grow to serve more users and more robust applications, the connections between devices can create sluggish bottlenecks. **NETGEAR**'s FS517TS Stackable Fast Ethernet Switch features a copper Gigabit port that alleviates the problem while delivering a new level of cost-efficiency for Gigabit networks. The FS517TS presents multiple configuration options with 16 Fast Ethernet ports and a dedicated Gigabit port on the front panel. The 17th Gigabit port is used to connect to Gigabit servers or Gigabit switches to provide a high-speed connection from your stack to the rest of your network.

### GIGABIT CONNECTIVITY

A Gigabit port on the front panel provides connectivity to a Gigabit server or switch to eliminate bottlenecks in high-performance networks.

### POWERFUL STACKABILITY

A built-in 2000 Mbps stacking port allows you to stack the switch with NETGEAR FS524S switches for scaling the network up to 224 10/100 Mbps connections. Adding another Gigabit connection to the network is as simple as putting a second FS517TS Switch in the stack.

### SIMPLIFIED SET-UP

Installation is simple and the equipment required for stacking and/or racking is included. Auto Uplink™ automatically makes the appropriate link for the configuration. And as with all of NETGEAR's unmanaged switches, FS517TS includes automatic speed and full/half-duplex sensing.



Help is there when you need it!

NETGEAR provides free, 7x24

telephone and e-mail technical

support in English, with selected

local language support during

office hours.

[www.NETGEAR.com](http://www.NETGEAR.com)

**NETGEAR®**

**NETGEAR** Inc.  
4500 Great America Parkway  
Santa Clara, CA 95054  
USA

Phone: 1-888-NETGEAR  
E-mail: support@NETGEAR.com  
www.NETGEAR.com

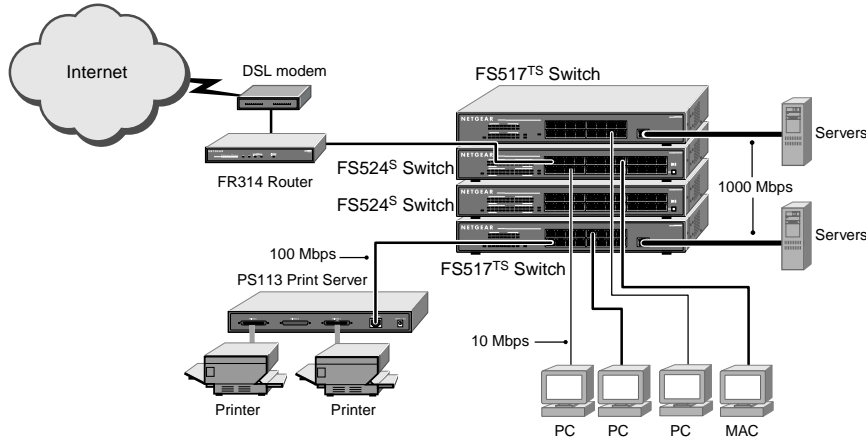
**In-Country Phone Support**

(24x7 phone support in English, local language support during office hours.)

Australia	1800-787-638	Korea	00308-11-0319
Austria	00800-06384327	Netherlands	0800-023-0981
	(00800-0-NETGEAR)	New Zealand	00800-1233-4566
Denmark	808-82179	Norway	800-12041
Canada	1-888-NETGEAR	Singapore	001-800-1233-4566
Finland	0800-111-036	Sweden	0200-298-298
France	0800-77-17-53	Switzerland	00800-0638-4327
	(00800-06384327)		(00800-0-NETGEAR)
Germany	00800-06384327	United Kingdom	020-7216-0014
	(00800-0-NETGEAR)	United States	1-888-NETGEAR
Hong Kong	001-800-1233-4566	All Other Countries	+1 801-236-8499
Japan	0120-66-5402		

NETGEAR® is a registered trademark of NETGEAR, Inc. in the United States and other countries. Windows® is a registered trademark of Microsoft Corporation. Other brand and product names are trademarks or registered trademarks of their respective holders. Information is subject to change without notice. All rights reserved.

June 2001



**TECHNICAL SPECIFICATIONS**

**Standards Compliance**

IEEE 802.3i 10BASE-T Ethernet  
IEEE 802.3u 100BASE-TX Fast Ethernet  
IEEE 802.3ab 1000BASE-T  
Gigabit Ethernet  
IEEE 802.3x Flow Control

**Network ports**

Sixteen 10 or 100 Mbps Ethernet  
RJ-45 ports  
One 1000 Mbps (1 Gbps) Gigabit  
Ethernet RJ-45 port

**Stacking ports**

One 2 Gbps stacking port for connecting  
additional switches

**AC Power**

Auto-sensing 100 to 240V, 50/60 Hz  
Localized power cord for North America,  
Japan, UK, Europe, Australia

**Weight**

2.3 kg (5.0 lbs)

**Dimensions**

W 330 mm (13")  
D 207 mm (8")  
H 43 mm (1.7")

**Environmental Specifications**

Operating temperature: 0 and 40° C  
Operating humidity: 90% maximum relative  
humidity, noncondensing

**Electromagnetic Compliance**

FCC Part 15 A  
CE  
C-Tick  
VCCI A

**Safety Agency Approvals**

UL, cUL  
CSA  
CE  
T-Mark  
TUV

**Warranty**

Switch: 5 years  
Power supply: 1 year

**PACKAGE CONTENTS**

Model FS517<sup>TS</sup> switch  
Stacking cable  
Rack-mount kit  
Self-adhesive foot pads  
Power cord  
User guide  
Warranty & Registration Cards  
Support Information Card

**SYSTEM REQUIREMENTS**

Category 5 network cables  
Network card for each PC  
Network software (e.g., Windows)



N10947  
D-F5517<sup>TS</sup>-001

www.NETGEAR.com

**NETGEAR®**