

Get moving with a high-speed, 10/100 fast **ETHERNET** connection



10/100 Mbps PCI **Ethernet Network Card**

FA312

NETGEAR's FA312 Ethernet Network Card connects PCs to other networked computers, printers, zip drives, routers, network storage and the Internet. Plug it in and you'll achieve high-speed transfer of all kinds of data.

Convenient! Model FA312, with Wake-on-LAN, allows you to remotely access your PCs at any time to perform administrative tasks. Update your system and applications, start management asset programs, download files, track inventory—all this and more can be done outside of working hours, while network traffic is lighter.

WAKE-ON-LAN

Compatible with the Microsoft-led OnNow industry initiative for instantly available PCs. Supports the Advanced Configuration and Power Interface (ACPI) Remote Wake Up and Magic Packet, standard for Windows 98 and Windows 2000.

RAPID TRANSIT

10/100 Mbps auto-sensing capability speeds up performance and eliminates the need for manual switching.

GUESSWORK-FREE

Three LEDs on the front panel—100 Mbps, 10 Mbps and Activity—provide intuitive feedback on network status and performance.

PLUG AND PLAY, ALL THE WAY

Open your PC, plug in the card, start your PC and install the driver from the floppy diskette. Simple GUI-driven installation instructions make setup a cinch.

UNCOMPLICATED

Single chip reliability combined with NETGEAR's renowned engineering ensures smooth-running usability.

EXTRA-CONVENIENT

No power cable is needed for installation to PCs with PCI revision 2.2.

FUTUREPROOF

You'll be prepared for the future, with both 3.3-volt and 5-volt PCI system capability—no upgrades required.



Help is there when you need it.

NETGEAR provides free, 24x7

telephone and e-mail technical

support in English, with selected

local language support during

office hours.

www.NETGEAR.com

NETGEAR[™]

NETGEAR Inc.
4401 Great America Parkway
Santa Clara, CA 95054
USA

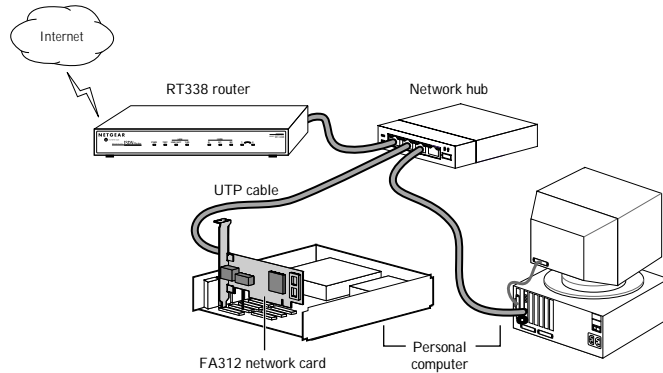
Phone: 1-888-NETGEAR
www.NETGEAR.com
e-mail: support@NETGEAR.com

In Country Phone Support
(24x7 phone support in English, local language support during office hours.)

Australia	1800-14-20-46	Austria	00800-06384327
Denmark	808-82179	Finland	0800-111-036
France	0800-771-753	Germany	00800-06384327
Holland	0800-023-0981	Japan	0120-66-5402
Korea	00308-11-0319	New Zealand	0800-444-626
Norway	800-12041	Sweden	020-790086
Switzerland	00800-06384327	UK	171-571-5120
US/Canada	1-800-211-2069		

NETGEAR™ is a trademark of NETGEAR, Inc. Windows® is a registered trademark of Microsoft Corporation. Other brand and product names are trademarks or registered trademarks of their respective holders. Information is subject to change without notice. All rights reserved.

June 2000



TECHNICAL SPECIFICATIONS

Standards

10 Mbps 10BASE-T
20 Mbps full-duplex 10BASE-T
100 Mbps 100BASE-TX
200 Mbps full-duplex 100BASE-TX

Interface

PC PCI ver. 2.2
Network RJ-45

Weight

.20 lb (90 g)

LEDs

100 Mbps
10 Mbps
Activity

Dimensions

W 144 mm (5.7")
D 93 mm (3.7")

Warranty

Limited lifetime

PACKAGE CONTENTS

FA312 network card
3 pin LAN Wake cable
Installation guide
Installation disk

COMPATIBLE OPERATING SYSTEMS

Microsoft

Windows for Workgroups 3.11
Windows NT 3.51, 4.0
Windows 95, 98
Windows 2000

Novell NetWare

Client32 for DOS
Client for Windows 95/98
Server 4.10, 4.11, 5.0

Others

RedHat Linux 5.4, 6.0
SCO OpenServer (Unix)
NDIS 2.0 for DOS driver for operating systems that require it



www.NETGEAR.com

NETGEAR™