

Get moving with a high-speed,  
10/100 fast **ETHERNET** connection



## 10/100 Mbps PCI Ethernet Network Card

**FA311**

**NETGEAR**'s FA311 Ethernet Network Card connects you to other networked computers, printers, zip drives, routers, network storage and the Internet. Plug it in and you'll achieve high-speed transfer of all kinds of data.

**Robust!** NETGEAR's single chip design improves the reliability of your network card performance. And you'll be prepared for the future with both 3.3v PCI and low-profile PCI capability—no upgrades required.

### O/S COMPATIBILITY

All major operating systems are supported: Microsoft Windows, Microsoft NT, Novell NetWare, RedHat Linux, and SCO OpenServer Unix.

### RAPID TRANSIT

10/100 Mbps auto-sensing capability speeds up performance and eliminates the need for manual switching.

### GUESSWORK-FREE

Three LEDs on the front panel—100 Mbps, 10 Mbps and Activity—provide intuitive feedback on network status and performance.

### PLUG AND PLAY, ALL THE WAY

Open your PC, plug in the card, start your PC and install the driver from the floppy diskette. Simple GUI-driven installation instructions make setup a cinch.

### UNCOMPLICATED

Single chip reliability combined with NETGEAR's renowned engineering ensure smooth-running usability.

### FUTUREPROOF

Use it in future 3.3-volt PCI systems, and in 5-volt PCI systems today.



Help is there when you need it.

NETGEAR provides free, 24x7

telephone and e-mail technical

support in English, with selected

local language support during

office hours.

**NETGEAR** Inc.

4401 Great America Parkway  
 Santa Clara, CA 95054  
 USA

Phone: 1-888-NETGEAR  
 www.NETGEAR.com  
 e-mail: support@NETGEAR.com

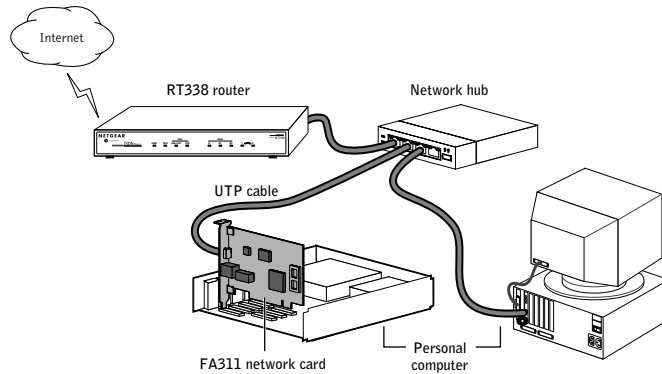
**In Country Phone Support**

(24x7 phone support in English, local language support during office hours.)

Australia	1800-14-20-46	Austria	00800-06384327
Denmark	808-82179	Finland	0800-111-036
France	0800-771-753	Germany	00800-06384327
Holland	0800-023-0981	Japan	0120-66-5402
Korea	00308-11-0319	New Zealand	0800-444-626
Norway	800-12041	Sweden	020-790086
Switzerland	00800-06384327	UK	171-571-5120
US/Canada	1-800-211-2069		

NETGEAR™ is a trademark of NETGEAR, Inc. Windows® is a registered trademark of Microsoft Corporation. Other brand and product names are trademarks or registered trademarks of their respective holders. Information is subject to change without notice. All rights reserved.

May 2000

**TECHNICAL SPECIFICATIONS****Standards**

10 Mbps 10BASE-T  
 20 Mbps full-duplex 10BASE-T  
 100 Mbps 100BASE-TX  
 200 Mbps full-duplex 100BASE-TX

**Interface**

PC PCI ver. 2.2  
 Network RJ-45

**Weight**

.20 lb (90 g)

**LEDs**

100 Mbps  
 10 Mbps  
 Activity

**Dimensions**

W 144 mm (5.7")  
 D 93 mm (3.7")

**Warranty**

Limited lifetime

**PACKAGE CONTENTS**

FA311 network card  
 Installation guide  
 Installation disk

**COMPATIBLE OPERATING SYSTEMS****Microsoft**

Windows for Workgroups 3.11  
 Windows NT 3.51, 4.0  
 Windows 95, 98  
 Windows 2000

**Novell NetWare**

Client32 for DOS  
 Client for Windows 95/98  
 Server 4.10, 4.11, 5.0

**Others**

RedHat Linux 5.4, 6.0  
 SCO OpenServer (Unix)  
 NDIS 2.0 for DOS driver for operating systems that require it

