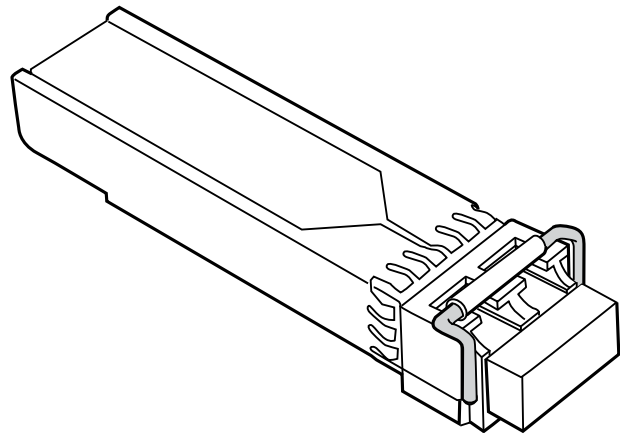


Installation

ProSAFE 10 Gigabit BASE-LR LITE SFP+ Single Mode Module AX764

The 10 Gigabit BASE-LR LITE SFP+ module transmits at 10 G bps over single mode fiber (SMF) for up to 2 Km.



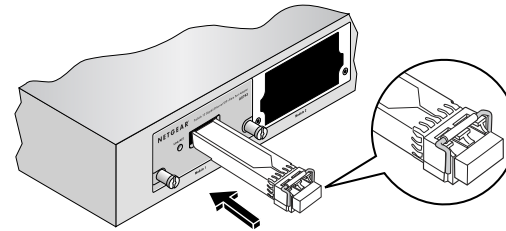
NETGEAR®

Install the Module

NETGEAR switches automatically detect the AXM764 module. The module can be inserted or removed while the switch is powered on.

➤ To install a module:

1. Insert the module into one of the available SFP+ module slots, pressing firmly to seat the module.
2. Make sure that the module latch is in the closed position.
3. Connect a single-mode LC to LC duplex cable to the module.

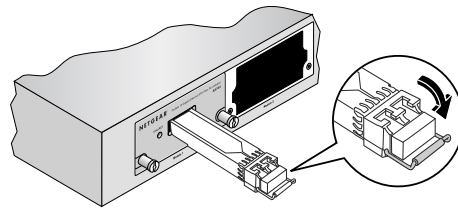


Remove the Module

You do not need to power off the switch before removing the module.

➤ To remove a module:

1. Disconnect any cables from the module.
2. Pull down on the module latch.
3. Pull the module out of the module slot.



Specifications

Specifications	Description
Wavelength	1310nm
Dimensions (H x W x D)	.47 in. x .57 in. x 2.22 in. (11.85 mm x 14.55 mm x 56.50 mm)
Weight	0.04 lb (20 g)
Operating temperature	23 – 158°F (-5 – 85°C)
Storage temperature	-40 – 185°F (-40 – 85°C)
Operative relative humidity	85% at 25°C
Operating Distance	Up to 2Km on legacy 9/125µm single mode fiber cables.
Connectors	LC
Max. power consumption	1.1W
MTBF	2310,000 hours (264 years)
Safety Certification	FDA/CDRH, IEC-60825
Compliance	RoHS

Regulatory Compliance

Certificate of Manufacturer/Importer

It is hereby certified that the NETGEAR model AX742 has been suppressed in accordance with the condition set out in MBPT-AmtsblVfg 243/1991 and vfg 46/1992. The operation of some equipment (for example, test transmitters) in accordance with regulation may, however, be subject to certain restrictions. Please refer to the note in the operating instructions. Federal Office for Telecommunications Approvals has been notified of the placing of this equipment on the market and has been granted the right to test the series for compliance with regulation.

This device has been tested and found to comply with limits for a Class A digital device, pursuant to part 15 of FCC rules. These limits are designed to provide reasonable protection against harmful interference in a commercial installation.

Support

Thank you for selecting NETGEAR products.

After installing your device, locate the serial number on the label of your product and use it to register your product at <https://my.netgear.com>.

You must register your product before you can use NETGEAR telephone support. NETGEAR recommends registering your product through the NETGEAR website. For product updates and web support, visit <http://support.netgear.com>.

NETGEAR recommends that you use only the official NETGEAR support resources.

For the current EU Declaration of Conformity, visit http://support.netgear.com/app/answers/detail/a_id/11621/.

For regulatory compliance information, visit <http://www.netgear.com/about/regulatory/>.



201-19056-01

February 2015

Netgear, Inc.

350 East Plumeria Drive
San Jose, CA 95134, USA

NETGEAR, the NETGEAR logo, and Connect with Innovation are trademarks and/or registered trademarks of NETGEAR, Inc. and/or its subsidiaries in the United States and/or other countries. Information is subject to change without notice. © NETGEAR, Inc. All rights reserved.