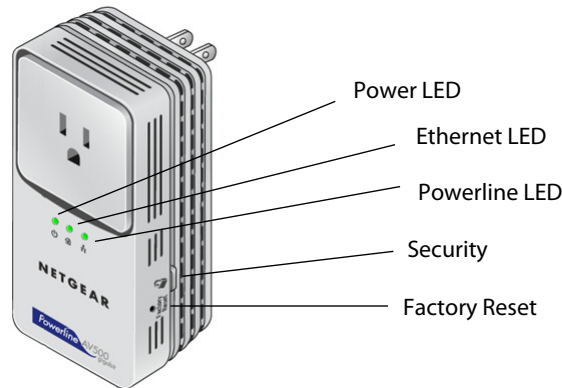





LED and Button Descriptions



Item	Description
	<ul style="list-style-type: none"> • Solid green. The electrical power is on. • Blinking green. The adapter is restarting or setting up security. • Amber. Power saving mode. • Off. There is no electrical power.
	<ul style="list-style-type: none"> • Solid. The Ethernet port is linked. • Off. There is no Ethernet connection.
	<ul style="list-style-type: none"> • Solid. The adapter is connected to a Powerline network. • Off. The adapter has not found any other compatible Powerline devices using the same encryption key.

Item	Description			
	The Pick A Plug feature lets you pick the electrical outlet with the strongest link rate, indicated by the color displayed by the LED:			
	<table border="1"> <tr> <td>Green: Link rate > 80 Mbps (Best)</td> <td>Amber: Link rate > 50 and < 80 Mbps (Better)</td> <td>Red: Link rate < 50 Mbps (Good)</td> </tr> </table>	Green: Link rate > 80 Mbps (Best)	Amber: Link rate > 50 and < 80 Mbps (Better)	Red: Link rate < 50 Mbps (Good)
Green: Link rate > 80 Mbps (Best)	Amber: Link rate > 50 and < 80 Mbps (Better)	Red: Link rate < 50 Mbps (Good)		
Factory Reset	Press the Factory Reset button for 1 second, then release it to return the Powerline adapter to its factory default settings.			
Security Button	After you plug in your new AV adapter, press the Security button for 2 seconds, then press the security button on one of the other AV adapters in your existing network for 2 seconds. Both buttons must be pressed within 2 minutes. Note: The Security button does not work in power saving mode. Power saving mode occurs when the Ethernet LED is off. To return to normal mode from power saving mode, check your Ethernet connection. Once the Ethernet link is up, the Powerline adapter will return to normal mode within 2 seconds.			

Warning: Do not press the **Security** button on the Powerline adapter until installation is complete and the adapters are communicating with each other (indicated by the blinking Powerline LED). Pressing this button too soon can temporarily disable Powerline communication. If this should occur, use the **Factory Reset** button to return the Powerline adapter to its factory default settings.

Warning: To reduce the torque on the AC outlet caused by the weight of the XAV5501, only a right-angled power cord can be plugged in to the filtered AC socket of the XAV5501 GR (German) and FR (French), and the power cord cannot be bent.

Troubleshooting Tips

For troubleshooting information, see the *XAV5501 User Manual*. You can access the User Manual from <http://www.NETGEAR.com/support>. Search for the XAV5501 product model and click the **Documentation** tab.

Technical Support

Thank you for selecting NETGEAR products.

After installing your device, locate the serial number on the label of your product and use it to register your product at <http://www.NETGEAR.com/register>. Registration is required before you can use our telephone support service. Registration via our website is strongly recommended.

Go to <http://www.NETGEAR.com/support> for product updates and Web support. GPL may be included in this product; go to <ftp://downloads.netgear.com/files/GPLnotice.pdf> to view the GPL license agreement. For complete DoC, please visit the NETGEAR EU Declarations of Conformity website at: http://kb.netgear.com/app/answers/detail/a_id/11621



This symbol was placed in accordance with the European Union Directive 2002/96 on the Waste Electrical and Electronic Equipment (the WEEE Directive). If disposed of within the European Union, this product should be treated and recycled in accordance with the laws of your jurisdiction implementing the WEEE Directive.

©2011 by NETGEAR, Inc. All rights reserved. NETGEAR, the NETGEAR logo, and Connect with Innovation are trademarks and/or registered trademarks of NETGEAR, Inc. and/or its subsidiaries in the United States and/or other countries. Information is subject to change without notice. Other brand and product names are trademarks or registered trademarks of their respective holders.



201-12876-07



August 2011

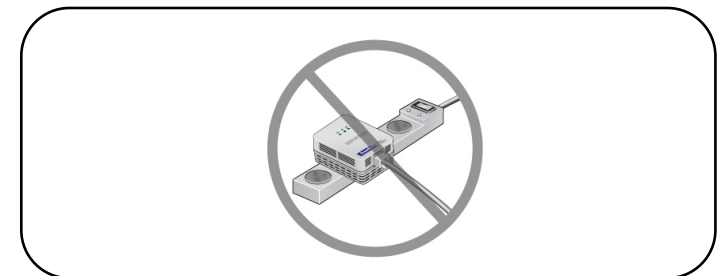
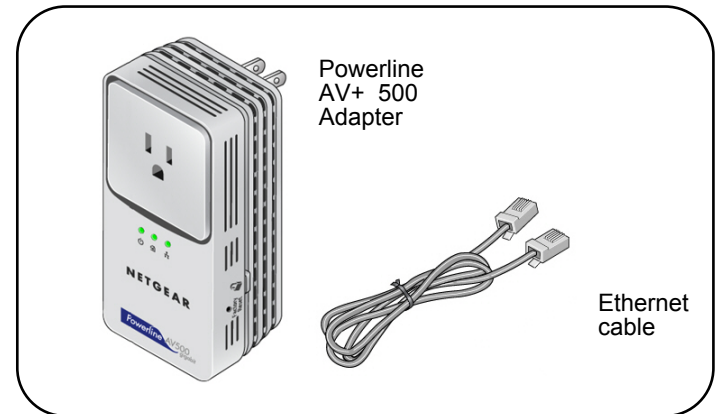
NETGEAR®

Installation Guide

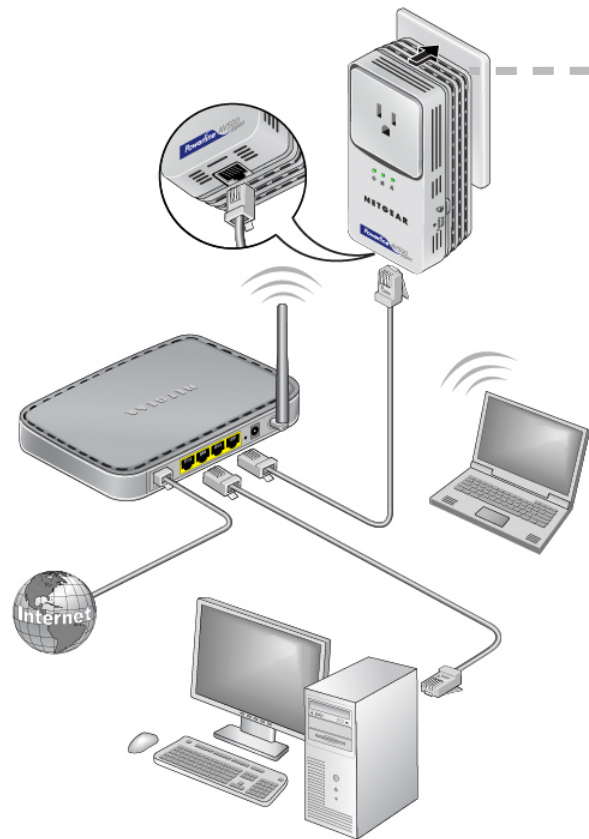
Connect with Innovation™

Powerline AV+ 500 Adapter XAV5501

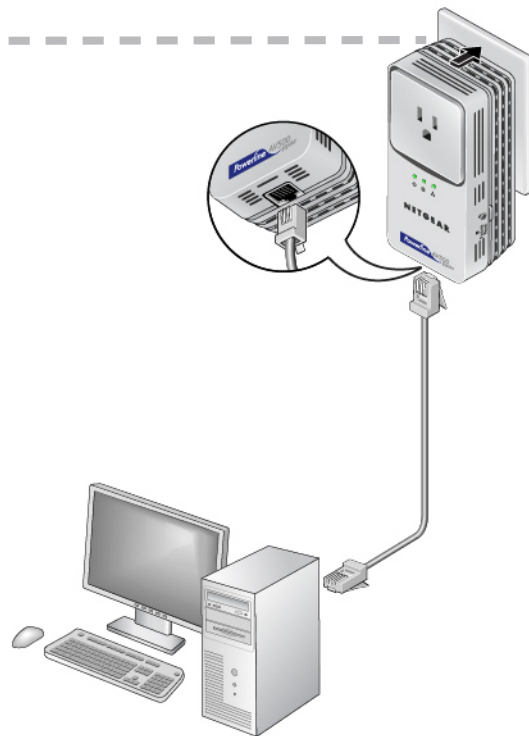
Package Contents



Room 1



Room 2



Compatible Powerline and HomePlug AV certified devices include the NETGEAR XAV101, XAV1004, XAV1501, XAV2001, XAV2501, and XAVN2001. For a complete list of AV certified devices, go to http://www.homeplug.org/certified_products

Safety Information

- For national approvals (approval schemes other than CB), relevant national standards for plug, socket-outlet and direct plug-in units (for example, US) shall also be consulted while testing and approving such products according to national standards.
- AC input rating (NA): 100-125V, 0.2A (Max), 50-60Hz excluding socket outlet rating.
- AC input rating (AU, UK, FR, EU, SW): 200-250V, 0.2A (Max), 50-60Hz excluding socket outlet rating.
- XAV5501 ratings (maximum load): EU: 15A 250V~, UK: 12A 250V~, FR: 15A, 250V~, NA: 14A 125V~, AU: 9A, 250V~, SW: 10A, 250V~.
- Operating temperature: 0C~40C
- The socket-outlet shall be installed near the equipment and be easily accessible.
- Only power cords are allowed to be inserted into the EUT socket-outlet; no other equipment with a direct plug-in is allowed. Power cord needs to be a maximum of 1 m long and a minimum of 0.75 mm square of cross-sectional area.
- Do not plug devices into the XAV5501 filtered AC outlet that exceed the product ratings. The output voltage of the filtered AC outlet is the same as the power outlet which the XAV5501 is plugged into. To help avoid damaging your system, be sure that the attached devices are electrically rated to operate with the power available in your location.
- If the input AC voltage is less than 125Vac, the device plugged into the filtered AC socket of the XAV5501 may not perform as well as expected.
- DO NOT PLUG MAJOR HOME APPLIANCES into the filtered AC socket or into an attached powerstrip. The device is not intended to be used with home appliances such as air conditioners, power tools, space heaters, fans, hair dryers, ovens, or refrigerators.
- Check the electrical current for any appliance used with the device, and do not exceed home and product outlet ratings and electrical requirements.