

NETGEAR®

Installation Guide

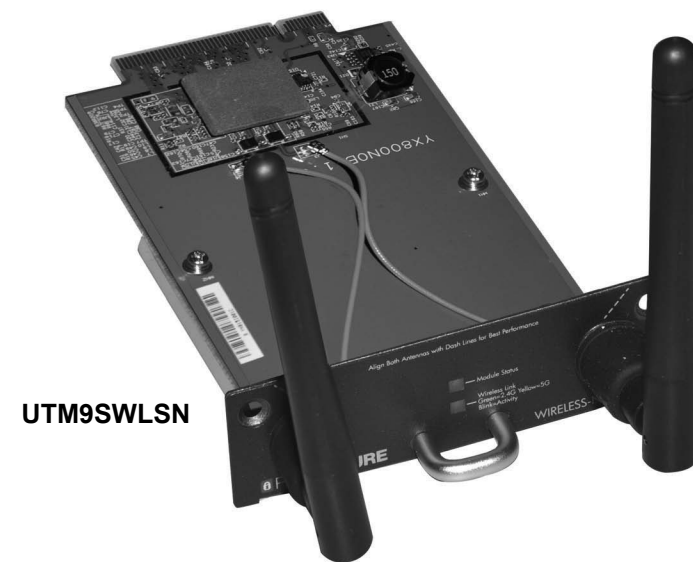
Connect with Innovation™

ProSecure™ Unified Threat Management UTM9SWLSN Module

This guide describes how to install and remove the ProSecure Unified Threat Management UTM9SWLSN Module. Refer to the *UTM9S Reference Manual* for configuration instructions. You can access the *Reference Manual* from the UTM9S product management interface, via the *Resource CD*, or from the NETGEAR support site: <http://support.netgear.com>.

Verify the Package Contents

- ProSecure™ UTM9SWLSN Module
- Installation Guide

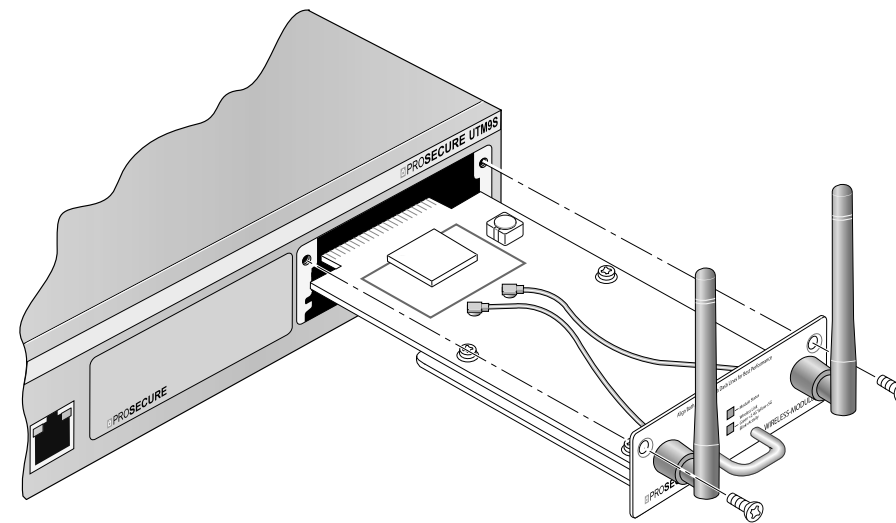


Install Module

To install the module:

Note: Only one wireless module can be installed. It can be installed in either accessory slot.

1. Turn off power to the UTM9S unit.
2. Remove one of the blank plates on the UTM9s front panel.
3. Save the cover plate for possible later use.
4. Insert the module firmly into the UTM9S.
5. Secure the module using the two panel screws.
6. Restore power to the UTM9S.



Remove Module

To remove the module:

1. Turn off power to the UTM9S unit.
2. Remove two screws securing the module.
3. Pull the module straight back from the UTM9S.
4. If the module is replaced, follow the Install Module Procedure. If the module is not replaced at this time, install a cover plate over the module slot.
5. Restore power to the UTM9S.

Technical Support

After installing your device, locate the serial number on the label of your product and use it to register your product at <http://www.NETGEAR.com/register>. Registration is required before you can use the telephone support service. Registration via our web site is strongly recommended.

Go to <http://support.netgear.com> for product updates and Web support.

For additional information about setting up, configuring, and using your Product Name Only, see the *User Manual*.

For complete DoC please visit the NETGEAR EU Declarations of Conformity web site at: http://support.netgear.com/app/answers/detail/a_id/11621/



201-13582-01

June 2011



This symbol was placed in accordance with the European Union Directive 2002/96 on the Waste Electrical and Electronic Equipment (the WEEE Directive). If disposed of within the European Union, this product should be treated and recycled in accordance with the laws of your jurisdiction implementing the WEEE Directive.

©2011 by NETGEAR, Inc. All rights reserved. NETGEAR and the NETGEAR logo are registered trademarks of NETGEAR, Inc. in the United States and/or other countries. Other brand and product names are trademarks or registered trademarks of their respective holders. Information is subject to change without notice.