

NETGEAR®

Installation Guide

NETGEAR ProSafe® 8-port Gigabit Smart Switch GSI08Tv2

Start Here

Follow these instructions to set up your smart switch. Before proceeding with the smart switch installation, familiarize yourself with the contents of the *Resource CD*, especially the reference manuals on your *Resource CD*.

First, Verify Package Contents

- NETGEAR GSI08Tv2 Smart Switch
- Rubber footpads for tabletop installation
- 12V/1A Power Adapter
- Wall-mount kit
- *Installation Guide*
- *Smart Switch Resource CD* that includes the NETGEAR Device Manager utility (Smart Control Center).

Then, Prepare to Install Your Smart Switch

Prepare a PC with an Ethernet adapter and a CD ROM drive.

Next, Install the NETGEAR Device Manager Utility on a PC

1. Insert the *Resource CD* into your CD drive.
2. Run the Setup program to install the Smart Control Center utility. The Installation Wizard will guide you through the installation.

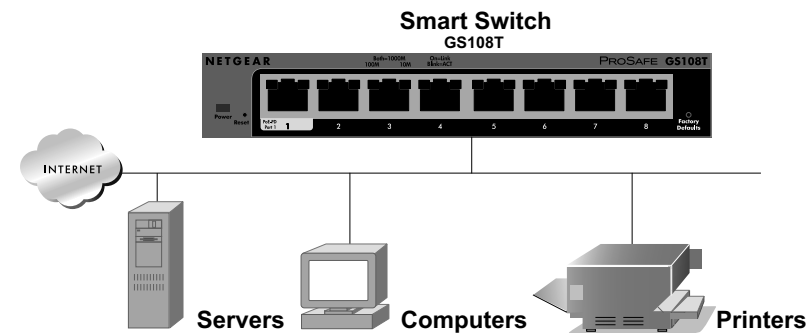
Next, Connect Your Smart Switch in the Correct Order

These instructions assume you are using DHCP in your network. If you are using static IP addressing in your network, configure the switch IP address before connecting it to your network. In the absence of a DHCP server, the switch will default to 192.168.0.239 for its IP address.

To configure the switch before connecting it to your network:

1. Set up the PC with a Static IP address in the 192.168.0.x subnet, and connect the PC to the switch. Then, use the Smart Control Center utility to configure the switch.
2. Connect each PC to an RJ-45 network port on the Switch front panel.

Use category 5 (Cat5) unshielded twisted-pair (UTP) cable terminated with an RJ-45 connector to make these connections.




3. Connect the switch to your network.

4. Connect the external power supply and power on the switch.

Note: The NETGEAR GSI08T Smart Switch is a PoE Powered Device (PD) and can receive power from PoE Power Sourcing Equipment (PSE). To power the GSI08T Smart Switch from a PoE power source, such as the NETGEAR GS748TPS ProSafe Gigabit Stackable PoE Smart Switch, you can connect the PSE to Port 1 on the GSI08T Smart Switch through a standard Cat5 UTP cable. This allows the GSI08T Smart Switch to be powered by PoE.

5. Verify that the PC with the Smart Control Center utility is on the same subnet as the switch.

Now, Configure the Switch with the NETGEAR Device Manager Utility

1. Double-click the **Smart Control Center** icon  on your desktop or in Windows Start menu Programs to run the utility and view this screen.



- Click **Discover** to find your switch in the network.



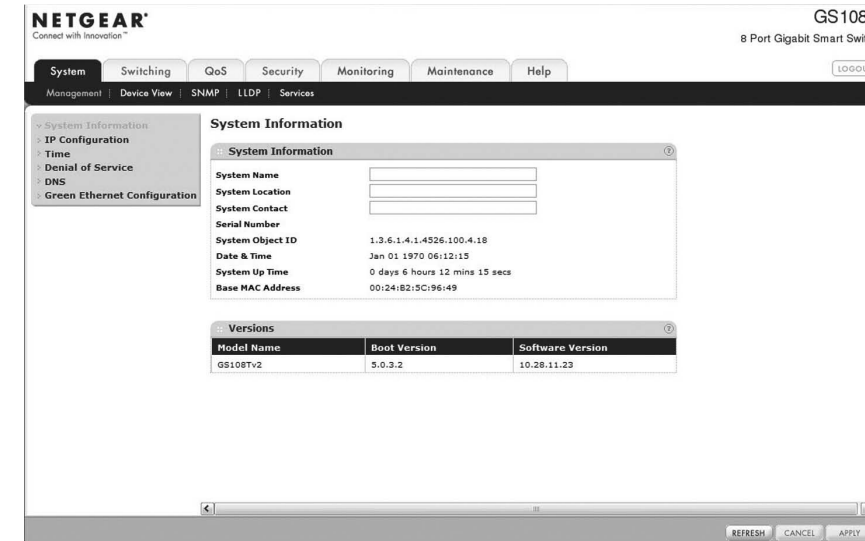
The Smart Control Center utility finds the switch and displays its MAC Address, IP Address, and model number. If you cannot configure your switch, verify that the cable connections are secure, that the IP address configuration of the PC is in the same subnet as the switch, and click the **Discover** button.

- Click to select the line displaying the details of your switch. If there are multiple Smart Switches in your network, be sure to select the one you want to configure.
- Click **Web Browser Access** to view the switch log in screen.



- Enter the default password of **password** in lower case letters and click **Login**. The switch will display the switch settings main page. Configure the switch for your network. Consult the *Reference Manual* on the *Resource CD* or the online help in the switch for assistance with configuration procedures.

After you log in to the switch, the main Web Access menu displays.



Use the configuration menu options to configure your switch.

Troubleshooting Tips

Here are some tips for correcting simple problems you may have.

Make sure the Ethernet cables are securely plugged in.

For each powered on computer connected to the Smart Switch with a securely plugged in Ethernet cable, the corresponding Smart Switch port status light will be lit.

Make sure the network settings of the computer are correct.

In most cases, computers should be configured to obtain an IP address automatically via DHCP. For help with this, refer to the *GS108Tv2 Software Administration Reference Manual*; a link to the online *Reference Manual* is on the *Resource CD*.

If your network uses static IP addresses, be sure the switch and computer are configured with valid IP addresses.

Technical Support

Thank you for selecting NETGEAR products.

After installing your device, locate the serial number on the label of your product and use it to register your product at <http://www.NETGEAR.com/register>. Registration is required before you can use our telephone support service. Registration via our website is strongly recommended.

Go to <http://kbserver.netgear.com> for product updates and Web support. For Warranty and Regional Customer Support information, see the *Resource CD* that came with your product.

GPL may be included in this product; go to <ftp://downloads.netgear.com/files/GPLnotice.pdf> to view the GPL license agreement.



This symbol was placed in accordance with the European Union Directive 2002/96 on the Waste Electrical and Electronic Equipment (the WEEE Directive). If disposed of within the European Union, this product should be treated and recycled in accordance with the laws of your jurisdiction implementing the WEEE Directive.

© 2010 by NETGEAR, Inc. All rights reserved. NETGEAR and the NETGEAR logo are registered trademarks of NETGEAR, Inc. in the United States and/or other countries. Other brand and product names are trademarks or registered trademarks of their respective holders. Information is subject to change without notice.



201-11947-01



January 2010