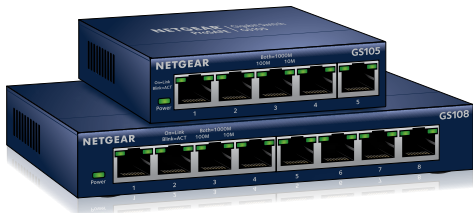


Installation Guide

5-Port and 8-Port Gigabit Ethernet Unmanaged Switch GS105v5 and GS108v4



Package contents

- Gigabit Ethernet switch
- Power adapter (varies by region)
- Wall-mount kit
- Installation guide

July 2019



201-25347-02

1. Register with the NETGEAR Insight app

1. Search for **NETGEAR Insight** and download the latest app.

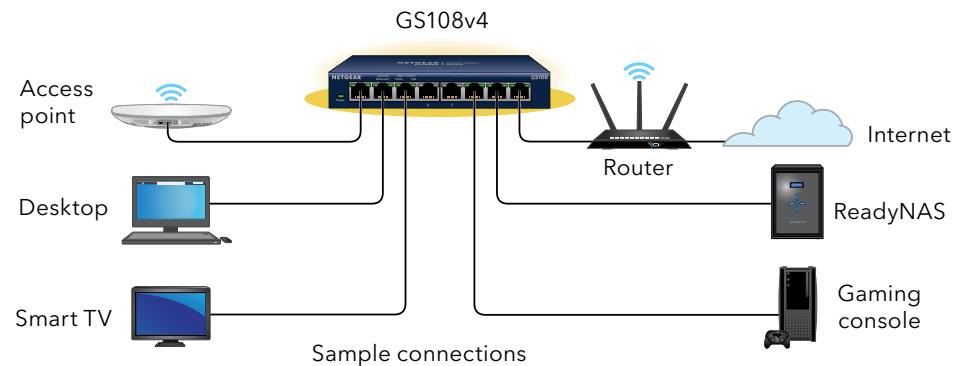


2. Set up a NETGEAR account if you do not have one.
3. Tap the menu in the upper-left corner.
4. Tap **REGISTER ANY NETGEAR DEVICE**.
5. Enter the serial number located on the bottom of the switch, or use the camera on your mobile device to scan the serial number bar code.
6. Tap **GO**.

The switch is registered and added to your account. You can now view the switch in the NETGEAR Insight app.

Note: Because this is an unmanaged switch, you cannot configure or manage it in NETGEAR Insight.

2. Connect the switch



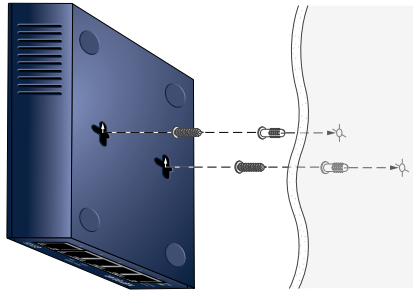
3. Check the LEDs

LED	Description
Power	<ul style="list-style-type: none"> • On. The switch is receiving power. • Off. The switch is not receiving power.
Port (left and right)	<ul style="list-style-type: none"> • Both LEDs are solid green. 1000 Mbps link on this port. • Left LED is solid green. 100 Mbps link on this port. • Right LED is solid green. 10 Mbps link on this port. • Blinking green. The port is sending or receiving traffic. • Off. The switch does not detect a link on this port.

Wall-mount the switch

The bottom panel of the switch includes two mount holes. The center-to-center distance between the holes is:

- GS105v5: 1.8 in (46 mm)
- GS108v4: 3.15 in (80 mm)



Note: You can mount the switch with the Ethernet ports facing down (at the bottom) as shown, or with the Ethernet ports facing up.

1. Mark the wall where you want to drill the holes.
2. Insert the provided anchors into the wall.
3. Install the provided screws with a No. 2 Phillips screwdriver.
Leave about ¼ inch (6 mm) of each screw protruding from the wall.
4. Align the holes on the bottom panel of the switch with the screws and mount the switch.

Technical specifications

Specifications	Description
Network interface	RJ-45 connector for 10BASE-T, 100BASE-TX, or 1000BASE-T
Ports	GS105v5: 5 GS108v4: 8
Power adapter	12V @ 0.5A DC input
Power consumption	GS105v5: 2.7W max. GS108v4: 4.92W max.
Weight	GS105v5: 0.56 lb (0.254 kg) GS108v4: 1.11 lb (0.5 kg)
Dimensions (W x D x H)	GS105v5: 3.97 x 3.7 x 1.02 in. (100.8 x 94 x 25.9 mm) GS108v4: 6.2 x 4 x 1.1 in. (158 x 102 x 27 mm)
Operating temperature	32–122° F (0–50° C)
Operating humidity	10%–90% relative humidity, noncondensing

Support


Thank you for purchasing this NETGEAR product. You can visit <https://www.netgear.com/support/> to register your product, get help, access the latest downloads and user manuals, and join our community. We recommend that you use only official NETGEAR support resources.

Si ce produit est vendu au Canada, vous pouvez accéder à ce document en français canadien à <https://www.netgear.com/support/download/>. (If this product is sold in Canada, you can access this document in Canadian French at <https://www.netgear.com/support/download/>.)

For regulatory compliance information including the EU Declaration of Conformity, visit <https://www.netgear.com/about/regulatory/>.

See the regulatory compliance document before connecting the power supply.

Do not use this device outdoors. If you connect cables or devices that are outdoors to this device, see <https://kb.netgear.com/000057103> for safety and warranty information.

 **NETGEAR INTERNATIONAL LTD**
Floor 1, Building 3,
University Technology Centre
Curraheen Road, Cork,
T12EF21, Ireland

© NETGEAR, Inc., NETGEAR and the NETGEAR Logo are trademarks of NETGEAR, Inc. Any non-NETGEAR trademarks are used for reference purposes only.

NETGEAR, Inc.
350 East Plumeria Drive
San Jose, CA 95134, USA