

Power Up to Gigabit Speed



10/100/1000 Mbps Fast Ethernet Switch

with a Gigabit Port

FS509T

You'll get ultra capacity and staggering speed with **NETGEAR**'s 9-port FS509T 10/100/1000 Fast Ethernet Switch. One copper gigabit uplink plus eight switched 10/100 Mbps ports give multiple 100 Mbps clients simultaneous, bottleneck-free access to the server or network backbone. Flexible links handle 10, 100, or 1000 gigabits per second, while Auto Uplink™ on all nine ports automatically adjusts for straight-through or crossover cables. Count on the FS509T to deliver non-blocking performance for maximum throughput. It's rack-mountable, with kit included, and provides easy, Plug and Play installation into your office network.

POTENT

Connects your server or switch at 1 Gbps over Category 5 UTP cables for up to 100 meters.

EXTENSIVE

Eight switched 10/100 Mbps ports provide dedicated 10 or 100 Mbps bandwidth for connecting one or multiple PCs, servers, and hubs.

CAPABLE

All ports feature automatic speed and duplex sensing, plus Auto Uplink™ to always make the right connection. The FS509T also gives you wire-speed performance for maximum throughput with no head-of-line (hol) blocking problems.

ACCOMMODATING

Conveniently rack-mountable so it adapts easily to your office space.



Help is there when you need it!

NETGEAR provides free, 24x7

telephone and e-mail technical

support in English, with selected

local language support during

office hours.

www.NETGEAR.com

NETGEAR®

NETGEAR Inc.

4500 Great America Parkway
 Santa Clara, CA 95054
 USA

Phone: 1-888-NETGEAR
 E-mail: support@NETGEAR.com
 www.NETGEAR.com

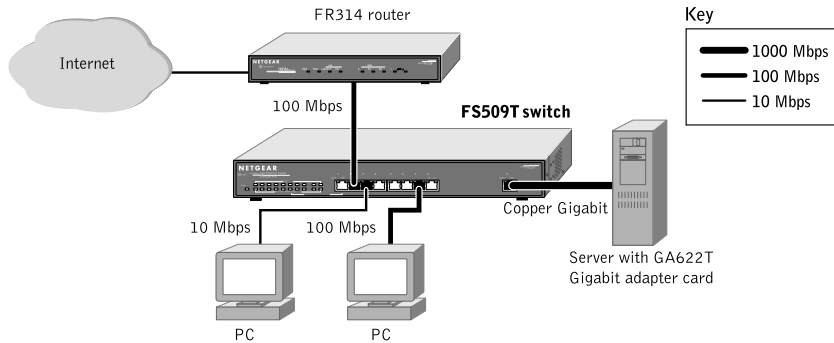
In-Country Phone Support

(24x7 phone support in English, local language support during office hours.)

Australia	1800-787-638	Korea	00308-11-0319
Austria	00800-06384327	Netherlands	0800-023-0981
	(00800-0-NETGEAR)	New Zealand	00800-1233-4566
Denmark	808-82179	Norway	800-12041
Canada	1-888-NETGEAR	Singapore	001-800-1233-4566
Finland	0800-111-036	Sweden	0200-298-298
France	0800-77-17-53	Switzerland	00800-0638-4327
Germany	00800-06384327		(00800-0-NETGEAR)
	(00800-0-NETGEAR)	United Kingdom	020-7216-0014
Hong Kong	001-800-1233-4566	United States	1-888-NETGEAR
Japan	0120-66-5402	All Other Countries	+1 801-236-8499

NETGEAR® is a trademark of NETGEAR, Inc. Windows® is a registered trademark of Microsoft Corporation. Other brand and product names are trademarks or registered trademarks of their respective holders. Information is subject to change without notice. All rights reserved.

September 2001

**TECHNICAL SPECIFICATIONS****Network Protocol and Standards Compatibility**

IEEE 802.3i 10BASE-T
 IEEE 802.3u 100BASE-TX
 IEEE 802.3ab 1000BASE-T
 IEEE 802.3x Flow Control

Data Rate

10 Mbps differential Manchester encoded, IEEE 802.3
 100 Mbps with 4B/5B encoding and MLT-3 physical interface for 100BASE-TX
 1000 Mbps with 8B/10B encoding PAM-5 physical interface for 1000BASE-T

Interface

RJ-45 connector for 10BASE-T, 100BASE-TX and 1000BASE-T

Electrical Specifications

Power consumption: 15 W maximum

Physical Specifications

13" x 8" x 1.7" (33.0 cm 20.3 cm 4.3 cm)
 5.0 lb (2.3 kg)

Environmental Specifications

Operating temperature: 0 to 40°C
 Storage temperature: -20 to 70°C
 Operating humidity: 90% maximum relative humidity, noncondensing
 Storage humidity: 95% maximum relative humidity, noncondensing
 Operating altitude: 10,000 ft (3,000 m) maximum
 Storage altitude: 10,000 ft (3,000 m) maximum
 MTBF: 49600 Hours @ 40°C
 Heat radiation: 12 BTU/hr @ 40°C
 Acoustic noise: 0 dB

Performance Specifications

Frame forward rate: Non-blocking, wire-speed frame forward rate
 Forwarding modes: Store-and-forward
 Network latency: Less than 80 microseconds for 64-byte frames in store-and-forward mode for 10 Mbps to 100 Mbps transmission
 Address database size: 8,000 media access control (MAC) addresses per system
 Addressing: 48-bit MAC address

ELECTROMAGNETIC EMISSIONS

Meets requirements of: CE mark, commercial
 FCC Part 15, Subpart B, Class A
 EN 55 022 (CISPR 22), Class A
 EN 55 024
 VCCI Class A
 TUV EN 60950

ELECTROMAGNETIC SUSCEPTIBILITY

CE mark, commercial
 Electrostatic discharge (ESD): IEC 801-2, Level 2/3
 Radiated electromagnetic field: IEC 801-3, Level 2
 Electrical fast transient/burst: IEC 801-4, Level 2

SYSTEM REQUIREMENTS

Category 5 network cables
 Network card for each PC
 Network software (e.g., Windows)

PACKAGE CONTENTS

FS509T Fast Ethernet Switch
 Self-adhesive rubber footpads for desktop installation
 Rack Mount Kit for rack installation
 AC power cord
 Warranty & Owner Registration Card
 The Installation Guide
 Support Information Card



www.NETGEAR.com

NETGEAR®