



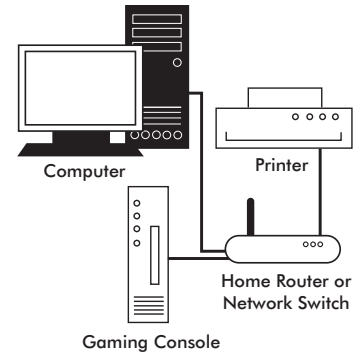
RJ45 to RJ45 Category 5e Ethernet Cables

- Reliably and conveniently network your cable or DSL modem, home router, PCs, Macs and networked devices
- Supports Gigabit Ethernet data rates
- Backward compatibility with 10 Mbps and 100 Mbps Ethernet networking standards

Features

- 50-micron, 24k gold-plated connectors resist corrosion and ensure superior signal transfer and maximum performance
- Impedance-matched, twisted-pair wires reduce signal degradation and cross-talk for high-speed, error-free data transmission
- Molded integral strain relief with built-in snagless connector enhances cable durability and simplifies installation
- Stranded high-purity copper wires provide installation flexibility
- Limited Lifetime Warranty*

- Network your PCs together to share files and your broadband internet connection
- Fully compatible with all 10Base-T, 100Base-T and 1000Base-T Ethernet networks
- Meets TIA/EIA-568B Category 5e Telecommunications cabling specifications



Package Contents

CAT5e Cable

Lengths:

Black Cables:

- CT5B1 - 1.0 m (3.3 ft)
- CT5B2 - 2.0 m (6.6 ft)
- CT5B6 - 6.0 m (20 ft)

White Cables:

- CT5W2 - 2.0 m (6.6ft)

Specifications

- Snagless Connector
- Supports 10 Mbps, 100 Mbps and Gigabit Ethernet Local Area Networks (LANs)

Warranty

- Limited Lifetime Warranty*